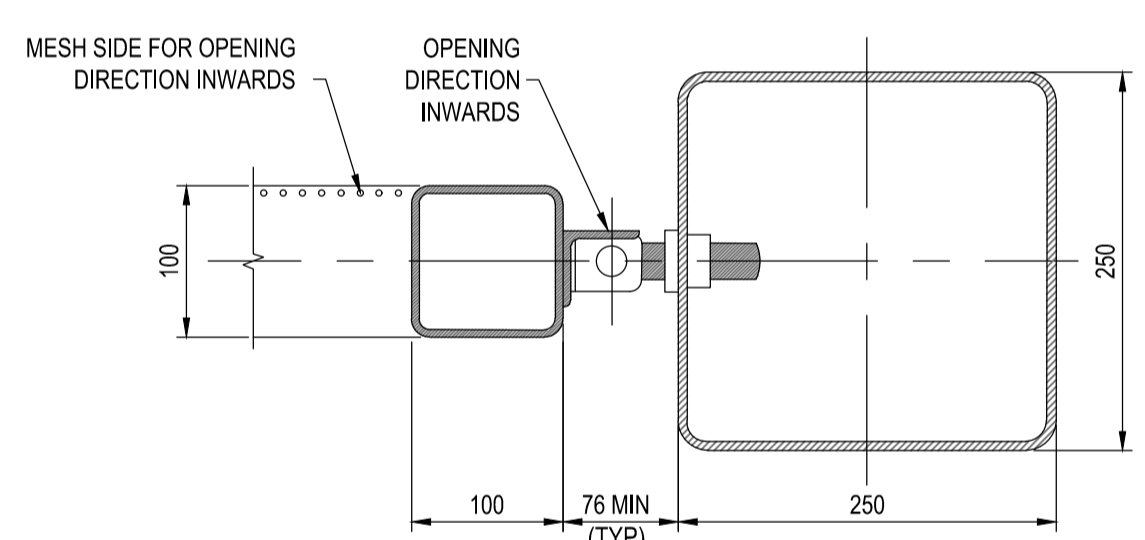


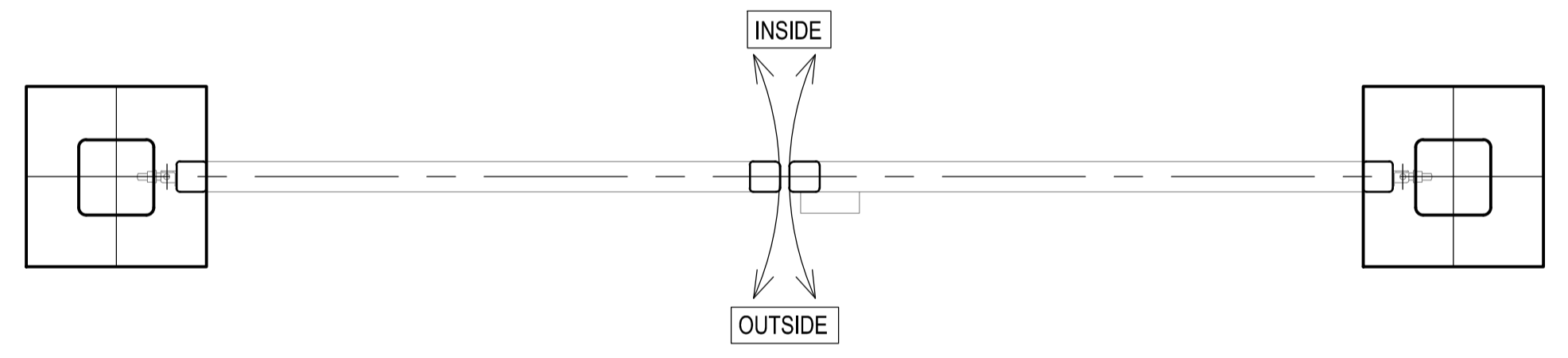
SECTION B  
SCALE 1:20

FRONT ELEVATION  
SCALE 1:20

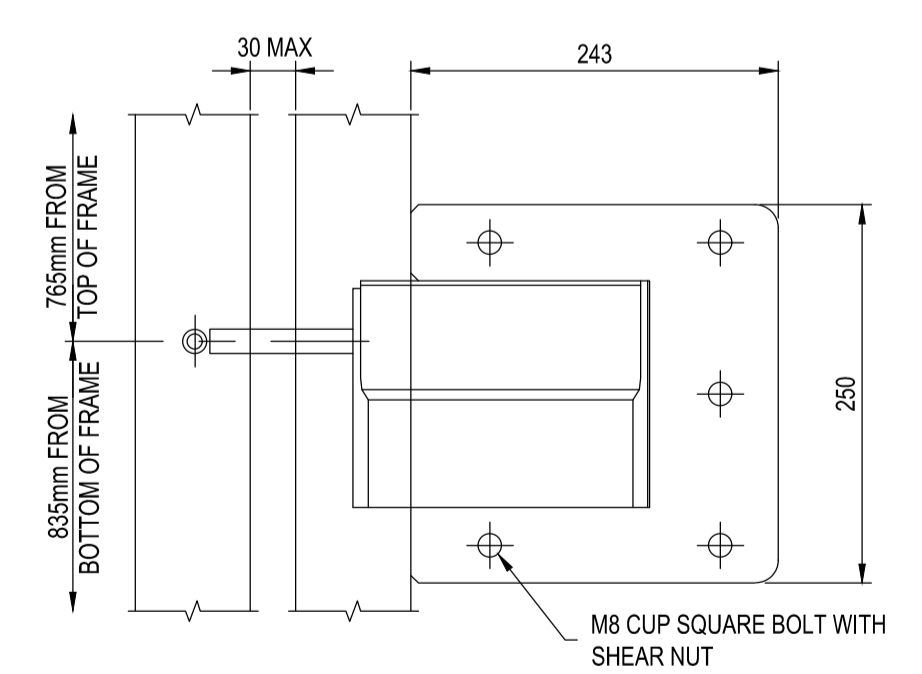
SECTION C  
SCALE 1:20



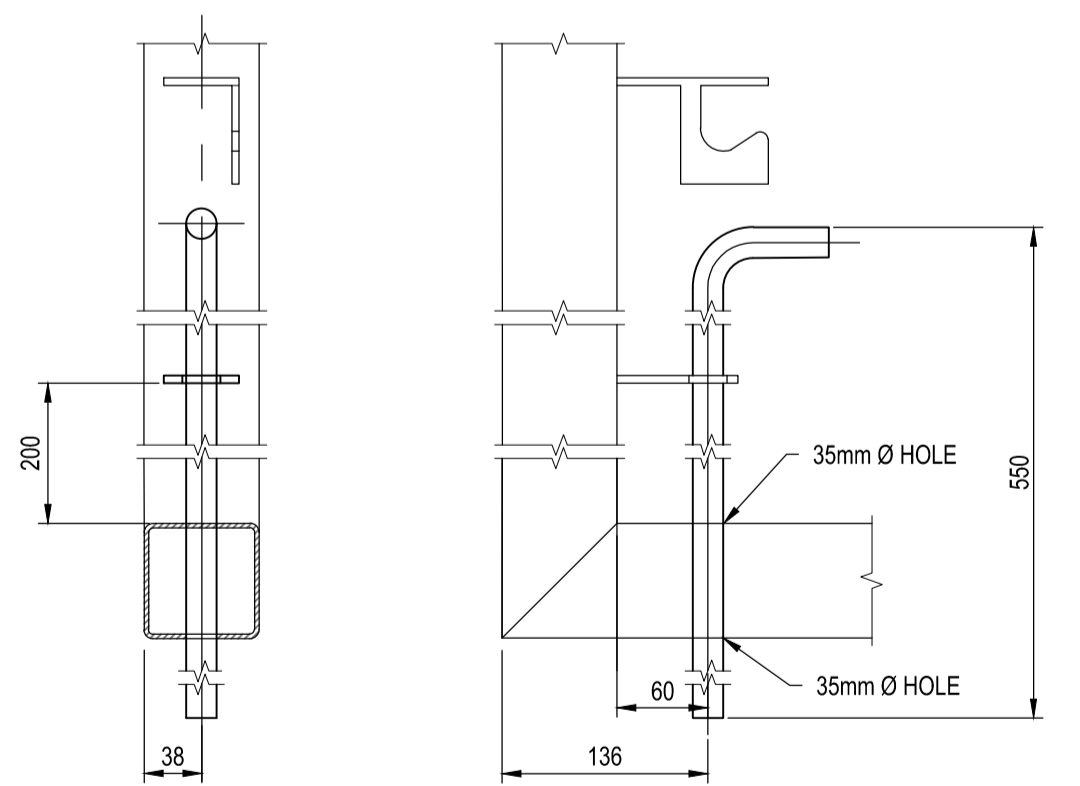
TYPICAL HINGE DETAIL  
SCALE 1:5



SECTION A  
SCALE 1:20



TYPICAL LOCK DETAIL  
SCALE 1:5



TYPICAL DROP BOLT DETAIL  
SCALE 1:5

NO	ITEM	DESCRIPTION	QTY
1	HINGE POST	250x250x6 SHS	2
2	DROP BOLT	32mm Ø ROUND BAR	2
3	GATE FRAME	100x100x4 SHS	2
4	LOCKING DEVICE	30mm Ø T-SLIDE LOCK, WITH LOCK BOX	1
5	HINGE	ADJUSTABLE SCREW HINGE	4
6	BASE PLATE	600x600x5 FLAT	2
7	COVER PLATE	50x50x5 L, 120mm LONG	4
8	GRAB HANDLE	HANDLE	4
9	MESH	CLEARVU22 REINFORCED MESH (OR SIMILAR APPROVED BY COE)	2
9	FOUNDATION	600x600x1000 CONCRETE, 20/19 @ 28 DAYS	2

NOTES AND SPECIFICATIONS

- GENERAL**
- MINIMUM REQUIREMENTS ARE INDICATED ON THE DRAWING. THE CONSULTANT / DESIGNER IS RESPONSIBLE AND LIABLE FOR FURTHER DETAILS AND TO ENSURE EFFECTIVE OPERATION AND MAINTENANCE OF THE INSTALLATION.
  - THE SIGNATURE OR INITIALS ON THIS DRAWING OF COE OFFICIAL DOES NOT REMOVE ANY RESPONSIBILITY WHATSOEVER FROM THE CONSULTANT / DESIGNER.
  - THE CONSULTANT / DESIGNER REMAINS RESPONSIBLE TO ENSURE THAT ALL THE GUIDELINES, STANDARD DRAWINGS, STANDARDS AND SPECIFICATIONS OF THE WATER AND SANITATION DEPARTMENT HAVE BEEN MET AND ARE COMPLIED WITH IN THE DESIGN.
  - ALL MATERIAL AND WORKMANSHIP MUST COMPLY WITH THE REQUIREMENTS OF THE LATEST RELEVANT SANS STANDARD.
  - FINAL POSITION OF SERVICES TO BE DETERMINED ON SITE.
  - ALL DIMENSIONS TO BE CHECKED AND APPROVED ON SITE.
  - ALL DIMENSIONS ARE IN mm (UNLESS OTHERWISE SPECIFIED).
  - DO NOT SCALE FROM THESE DRAWINGS.
  - CLASS OF CONCRETE UNLESS OTHERWISE SPECIFIED ON DRAWING DETAILS:  
 REINFORCED CLASS 30/19  
 THRUST BLOCKS CLASS 20/19  
 BLINDING CLASS 15/19  
 FLOOR SCREED SAND : CEMENT = 3 : 1
  - PRE-CAST CONCRETE RINGS AND COVER SLABS TO COMPLY WITH SANS 1294.
  - JOINTS BETWEEN CONCRETE RINGS AND BETWEEN COVER SLABS AND BETWEEN RINGS AND FLOORS TO BE SEALED WITH BITUMEN SEALANT (APPROVED BY THE DESIGNER).
  - ALL JOINTS BETWEEN THE PIPE AND THE CHAMBER WALL AND BETWEEN BRICK WALL AND CONCRETE FLOOR TO BE SEALED TO PREVENT WATER LEAKING INTO THE CHAMBER. METHOD OF SEALING TO BE SUBMITTED TO THE DESIGNER FOR APPROVAL.
  - FLANGE DRILLING TO BE IN ACCORDANCE WITH SANS 1123. DESIGNER TO SPECIFY FLANGE TABLE.
  - ALL BOLTS, WASHERS AND NUTS TO BE HOT DIPPED GALVANISED IN ACCORDANCE WITH SANS 763.
  - ALL STEEL PIPE ITEMS TO BE GRIT BLASTED TO SA 3 OF ISO 8501-1 AND PAINTED WITH EPOXY COMPLYING WITH SANS 1217 WITH A MINIMUM DRY FILM THICKNESS OF 500 MICRON (LINING AND COATING). UNDERGROUND STEEL PIPE ITEMS TO BE WRAPPED WITH PETROLATUM TAPE (APPROVED BY DESIGNER) OVER THE EPOXY COATING.
  - CONCRETE SUPPORTS ARE REQUIRED UNDERNEATH VALVES AND PIPE WORK WHERE INDICATED BY THE DESIGNER.
  - DESIGNER TO SPECIFY STEP IRONS OR LADDER INSIDE CHAMBER. STEP IRONS TO BE GALBERG AND BUILT-IN.
  - THERE MUST BE NO CONTACT BETWEEN STEEL PIPE ITEMS AND CONCRETE OR BRICK REINFORCEMENT.

PARTICULAR :

- ALL SECURITY FENCING TO BE APPROVED BY THE EXECUTIVE DIRECTOR: WATER AND SANITATION.
- SHOP DRAWINGS TO BE APPROVED BY WATER AND SANITATION DEPARTMENT.
- SECURITY LEVEL (TO BE SPECIFIED BY WATER AND SANITATION DEPARTMENT)

LEVEL	DESCRIPTION
1	MESH PANELS WITH NO TOPPING
2	7300 RIPPER OR SIMILAR COILED WIRE TOPPING
3	7300 RIPPER OR SIMILAR COILED WIRE TOPPING WITH INTEGRAL INTRUDER DETECTION AND REPULSE SYSTEM (ENERGIZER AND SOLAR POWER REQUIRED)



AMENDMENTS			
NR	DATE	APPROVED	DESCRIPTION

**WATER AND SANITATION**  
APPROVED ON BEHALF OF:  
OPERATIONS DIVISION

NAME:..... PROF REG No:.....  
SIGNATURE:..... DATE:.....

PROJECTS DIVISION

NAME:..... PROF REG No:.....  
SIGNATURE:..... DATE:.....

PLANNING DIVISION

NAME:..... PROF REG No:.....  
SIGNATURE:..... DATE:.....

DESIGNED

NAME:.....  
SIGNATURE:..... DATE:.....

DRAWN

NAME:.....  
SIGNATURE:..... DATE:.....

APPROVED

NAME:..... PROF REG No:.....  
SIGNATURE:..... DATE:.....

CONSULTANT DRAWING NUMBER

CONTRACT No. ....

PROJECT No. ....

SHEET No. ....

PAPER SIZE  
A1

SCALE

PROJECT TITLE

**STANDARD GUIDELINE DRAWINGS**

DRAWING TITLE

**STANDARD DRAWING: BULK WATER  
TYPICAL DETAIL FOR 2.4m HIGH DOUBLE LEAF  
SECURITY GATE**

COE DRAWING NUMBER

**STD-BW-011**

CONSULTANT DETAILS TO BE PLACED HERE