

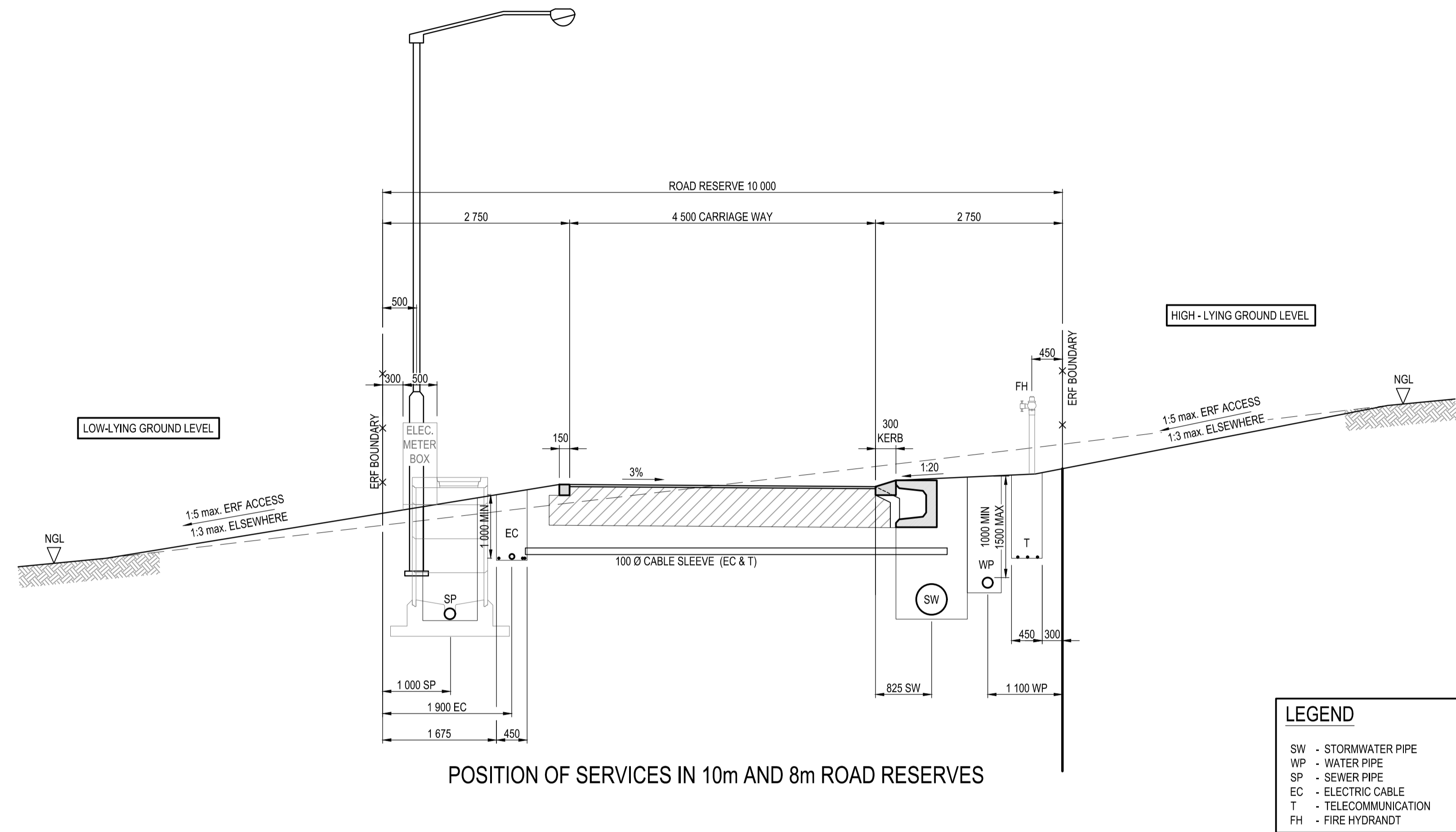
GENERAL NOTES

1. NO MINIATURE ELECTRICAL SUBSTATIONS IN THESE ROAD RESERVES.
2. ROAD LENGTHS MUST BE RESTRICTED TO ENSURE THAT NO DWELLING UNIT IS SITUATED MORE THAN 200m FROM THE NEAREST STREET WHERE A MINIATURE SUBSTATION CAN BE PLACED.
3. IF THE SPACE PERMITTED FOR STORMWATER IS INADEQUATE, THE PIPE MAY BE PLACED UNDER THE KERB AND CARRIAGE WAY.
4. ALL CUL - DE - SACS MUST BE PROVIDED WITH A TURNING FACILITY.
5. ALL ROADS AND STORMWATER INFRASTRUCTURE IN TERMS OF THIS DRAWING MUST BE ACCORDING TO STANDARD CONSTRUCTION DETAILS AND DESIGN STANDARD (ALL DRAWINGS IN THIS BOOK)
6. ALL ERVEN EXCEPT SPECIAL RESIDENTIAL ERVEN SMALLER THAN 1500 SQUARE METERS AND PARK ERVEN MUST BE PROVIDED WITH AN UNDERGROUND STORMWATER CONNECTION.

SPECIAL NOTES

THIS DRAWING IS ONLY APPLICABLE TO THE INSTALLATION OR CONSTRUCTION OF SERVICES IN NEW ROAD RESERVES.

IN EXISTING ROAD RESERVES OR THE EXTENSION THEREOF THE CURRENT SERVICES CONFIGURATION MUST BE MAINTAINED.



City of Ekurhuleni
 WATER AND SANITATION DEPARTMENT

AMENDMENTS			
NR	DATE	APPROVED	DESCRIPTION

WATER AND SANITATION
APPROVED ON BEHALF OF:
 OPERATIONS DIVISION

NAME:..... PROF REG No:.....
 SIGNATURE:..... DATE:.....

PROJECTS DIVISION

NAME:..... PROF REG No:.....
 SIGNATURE:..... DATE:.....

PLANNING DIVISION

NAME:..... PROF REG No:.....
 SIGNATURE:..... DATE:.....

CONSULTANT DETAILS TO BE PLACED HERE

DESIGNED

NAME:.....
 SIGNATURE:..... DATE:.....

DRAWN

NAME:.....
 SIGNATURE:..... DATE:.....

APPROVED

NAME:..... PROF REG No:.....
 SIGNATURE:..... DATE:.....

CONSULTANT DRAWING NUMBER

CONTRACT No.

PROJECT No.

SHEET No.

PAPER SIZE
A1

SCALE

PROJECT TITLE
STANDARD GUIDELINE DRAWINGS

DRAWING TITLE
**STANDARD DRAWING: SERVICES LAYOUT
10m ROAD RESERVES**

C&E DRAWING NUMBER
STD-SL-001