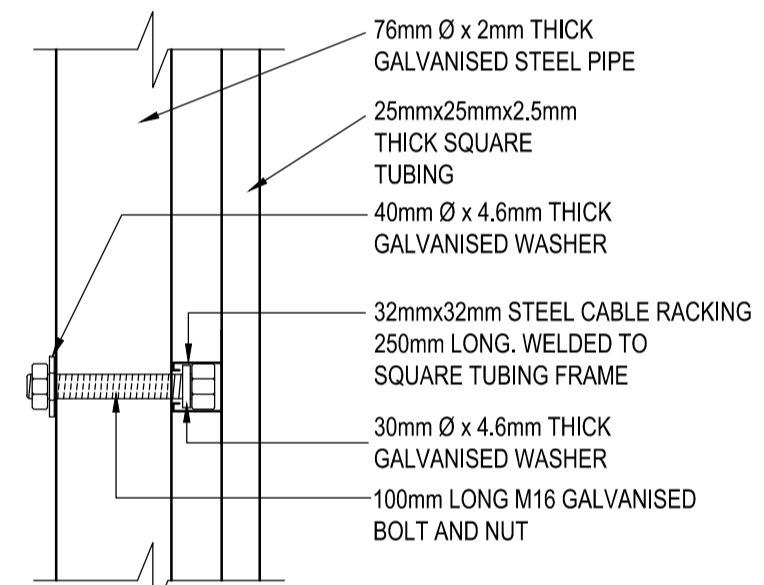
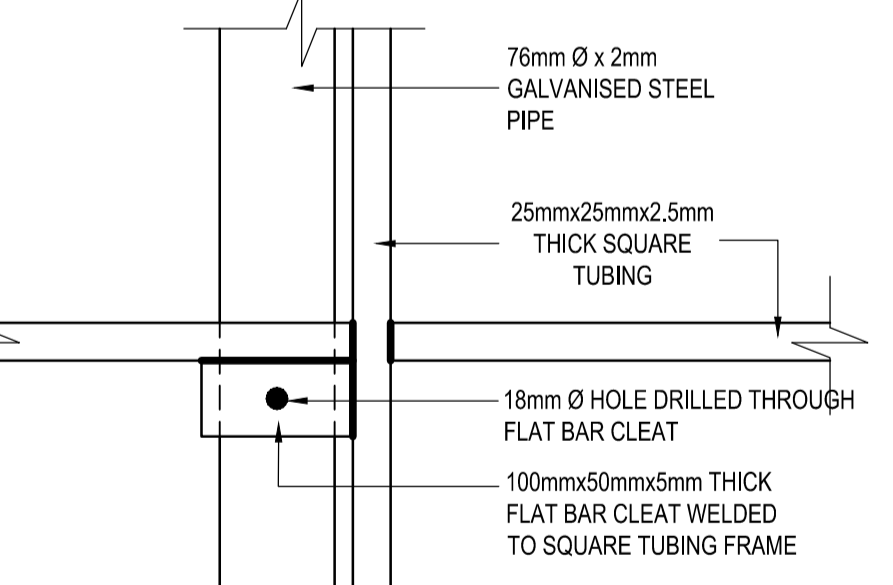


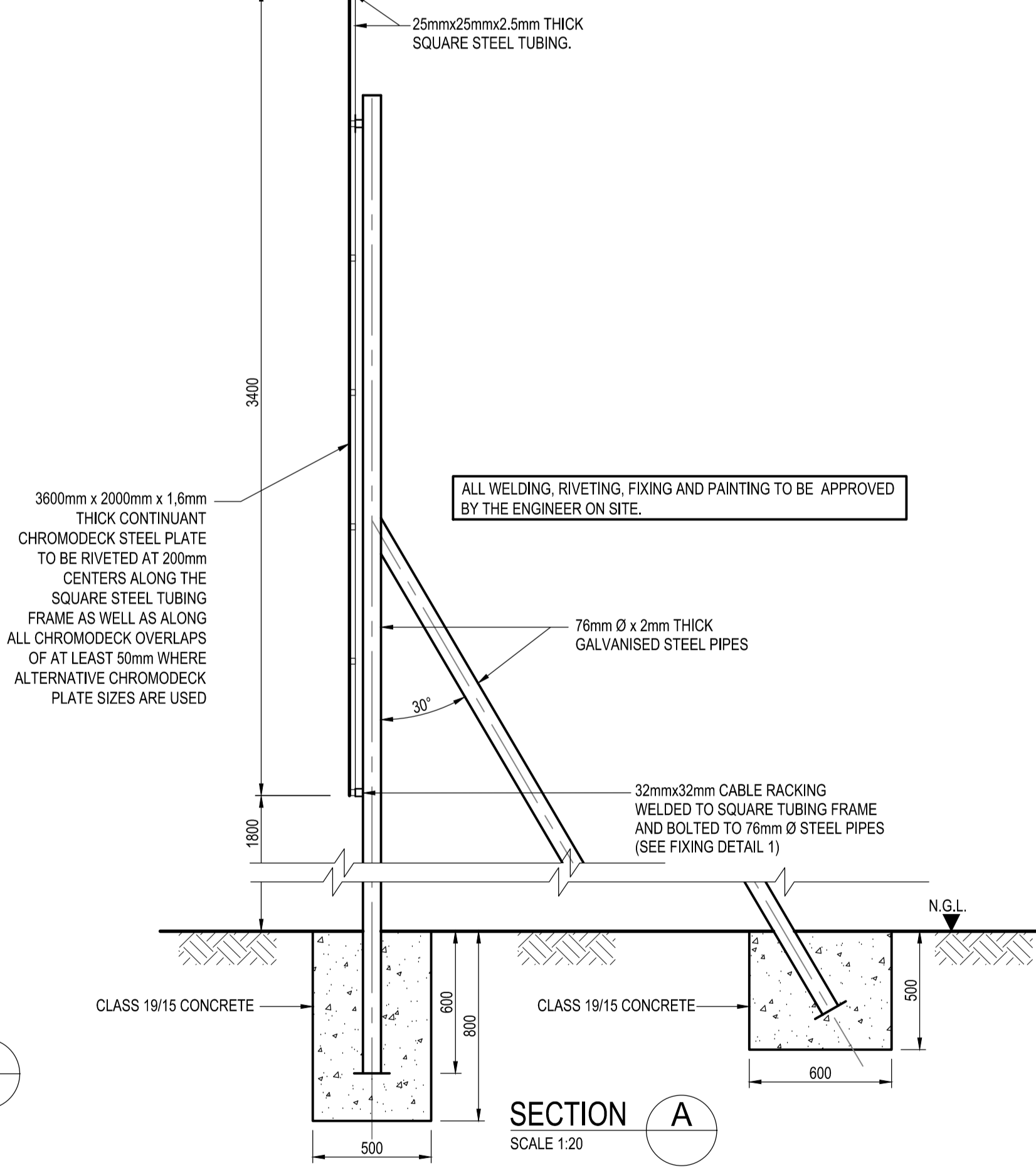
FRONT ELEVATION  
SCALE 1:20



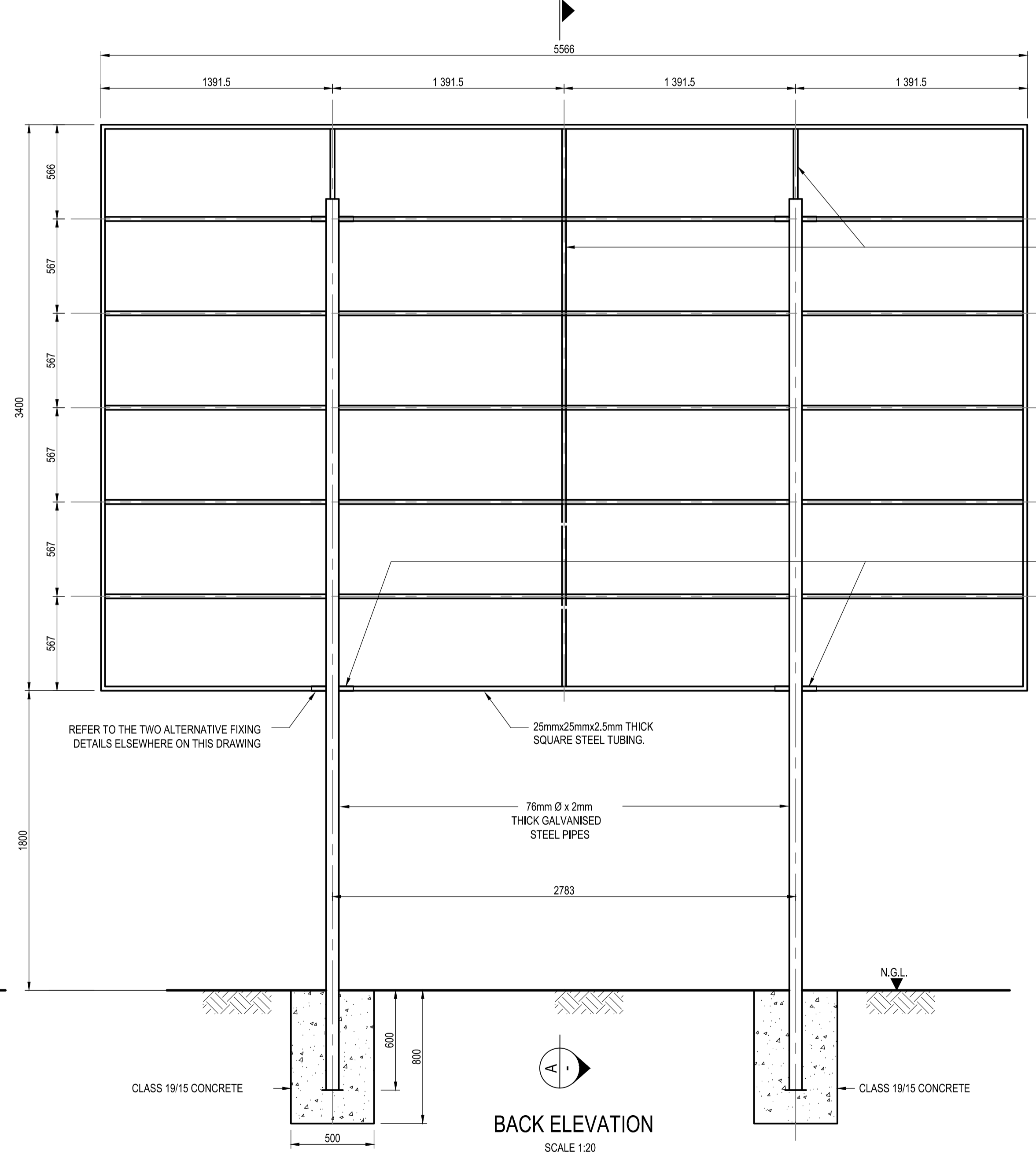
FIXING DETAIL 1  
SCALE 1:5



FIXING DETAIL 2 (ALTERNATIVE)  
SCALE 1:5



SECTION A  
SCALE 1:20



BACK ELEVATION  
SCALE 1:20

- NOTES**
- ALL EMBLEMS ARE TO BE OBTAINED BY THE CONTACTOR AND DISPLAYED IN FULL COLOUR.
  - THE EMBLEMS OF THE SOUTH AFRICAN FORUM FOR CIVIL ENGINEERING CONTRACTORS (SAFCEC) AND THE ASSOCIATION OF CONSULTING ENGINEERS SOUTH AFRICA (CESA) MAY ONLY BE USED IF THE CONTRACTOR / CONSULTANT IS A REGISTERED MEMBER. NO OTHER EMBLEM MAY BE USED IN LIEU THEREOF.
  - FINAL DRAWING TO BE SUBMITTED TO THE ENGINEER BEFORE MANUFACTURING AND PAINTING OF THE ACTUAL BOARD.
  - M16 x 100mm GALVANISED BOLTS AND NUTS FOR FIXING OF NAME BOARD TO GALVANISED STEEL PIPES. (FIXING DETAIL 1)
  - M16 x 100mm GALVANISED BOLTS AND NUTS FOR FIXING OF NAME BOARD TO GALVANISED STEEL PIPES. (FIXING DETAIL 2)
  - LOCATION OF PROJECT NAME BOARD TO BE IN ACCORDANCE WITH THE ENGINEERS INSTRUCTIONS.
  - FOR FIXING DETAIL 2 THE CENTRE LINES OF THE 76mm Ø STEEL PIPES WILL BE < 1800mm APART.

**NOTES AND SPECIFICATIONS**

- GENERAL**
- ALL MATERIAL AND WORKMANSHIP MUST COMPLY WITH THE REQUIREMENTS OF THE LATEST RELEVANT SANS STANDARD.
  - ALL DIMENSIONS ARE IN mm (UNLESS OTHERWISE SPECIFIED).
  - DO NOT SCALE FROM THESE DRAWINGS.
  - ALL DIMENSIONS TO BE CHECKED AND APPROVED ON SITE.
  - ALL CONSTRUCTION TO BE DONE IN ACCORDANCE WITH COE'S STANDARD CONSTRUCTION GUIDELINES AND THE STANDARD DETAIL DRAWINGS.
  - THIS DRAWING MUST BE READ IN CONJUNCTION WITH THE STANDARD DRAWINGS (IF APPLICABLE)
  - THIS DRAWING MUST BE READ IN CONJUNCTION WITH THE COE'S STANDARD CONSTRUCTION GUIDELINES.
  - THE SIGNATURE OR INITIALS ON THIS DRAWING OF ANY DIRECTOR OF THE WATER AND SANITATION DEPARTMENT, IN NO WAY, REMOVES ANY RESPONSIBILITY WHATSOEVER FROM THE CONSULTANT / DESIGNER.
  - THE CONSULTANT / DESIGNER REMAINS RESPONSIBLE TO ENSURE THAT ALL THE GUIDELINES, STANDARD DRAWINGS, STANDARDS AND SPECIFICATIONS OF THE WATER AND SANITATION DEPARTMENT HAVE BEEN MET AND ARE COMPLIED WITH.

- PARTICULAR**
- ALL PAINTS TO HAVE GLOSS ENAMEL FINISH AND COMPLY WITH SANS 1519-2.
  - ALL WHITE AREAS AND LETTERING TO BE OFF-WHITE IN COLOUR. OFF-WHITE TO BE MADE UP BY ADDING 0.4g BLACK AND 0.4g RED PAINT TO ONE LITER PURE WHITE PAINT.
  - COLOUR OF PAINT TO CONFORM TO BS 2000 No. 0/013.
  - ALL LETTERING TO BE DONE ACCORDING TO THE PROVISION OF THE LATEST EDITION OF THE SOUTHERN AFRICAN DEVELOPMENT COMMUNITY ROAD TRAFFIC SIGN MANUAL.
  - ALL LETTERING ARE MINIMUM 49mm DIN 1451 PART 2 STYLE 'B MOD' UNLESS OTHERWISE INDICATED.



AMENDMENTS			
NR	DATE	APPROVED	DESCRIPTION

**WATER AND SANITATION**  
APPROVED ON BEHALF OF:  
OPERATIONS DIVISION

NAME:..... PROF REG No:.....  
SIGNATURE:..... DATE:.....

**PROJECTS DIVISION**

NAME:..... PROF REG No:.....  
SIGNATURE:..... DATE:.....

**PLANNING DIVISION**

NAME:..... PROF REG No:.....  
SIGNATURE:..... DATE:.....

DESIGNED

NAME:.....  
SIGNATURE:..... DATE:.....

DRAWN

NAME:.....  
SIGNATURE:..... DATE:.....

APPROVED

NAME:..... PROF REG No:.....  
SIGNATURE:..... DATE:.....

CONSULTANT DRAWING NUMBER

CONTRACT No. \_\_\_\_\_

PROJECT No. \_\_\_\_\_

SHEET No. \_\_\_\_\_

PAPER SIZE  
A1

SCALE \_\_\_\_\_

PROJECT TITLE  
**STANDARD GUIDELINE DRAWINGS**

DRAWING TITLE  
**STANDARD DRAWING:  
CONTRACT NAME BOARD**

COE DRAWING NUMBER  
**STD-SL-004**

CONSULTANT DETAILS TO BE PLACED HERE