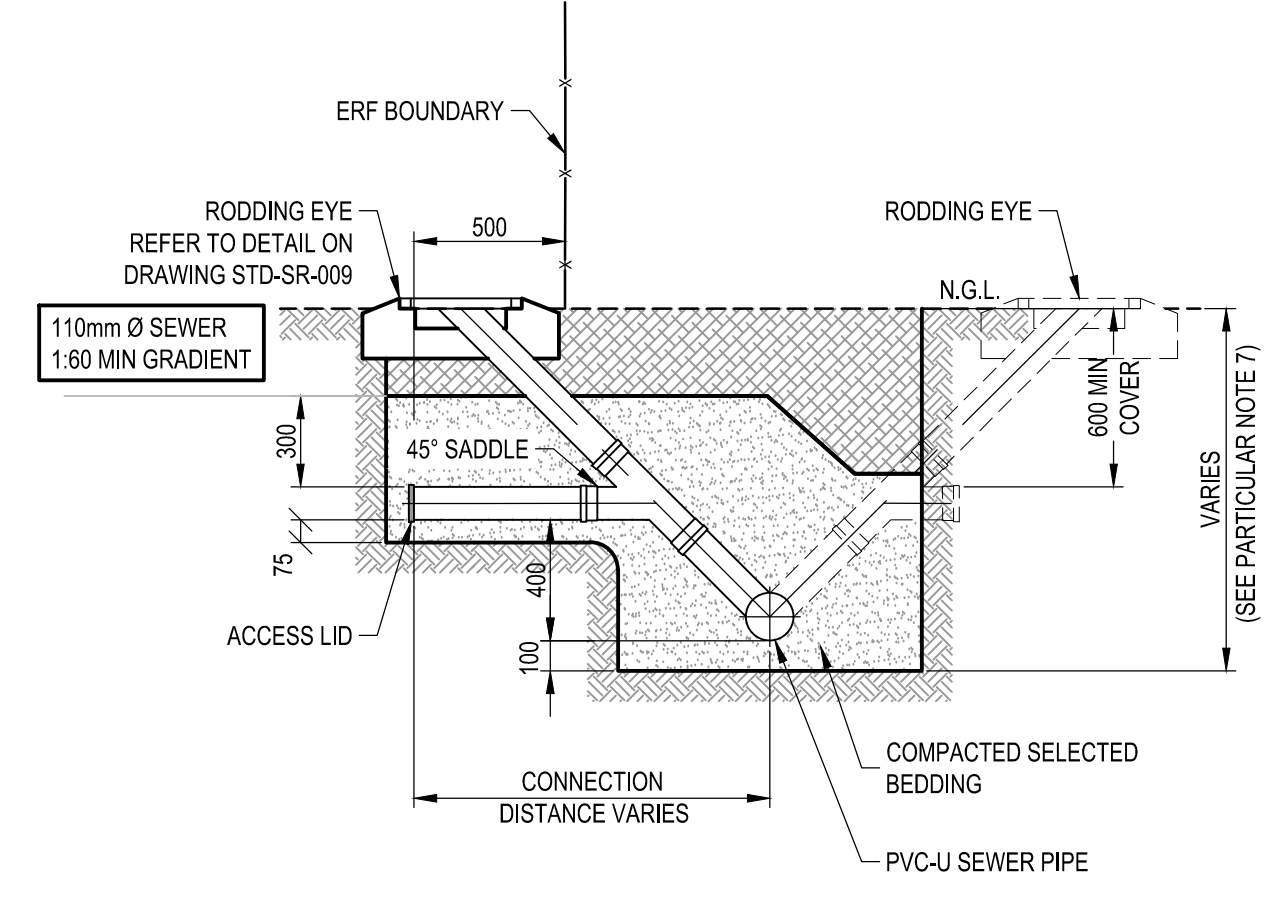
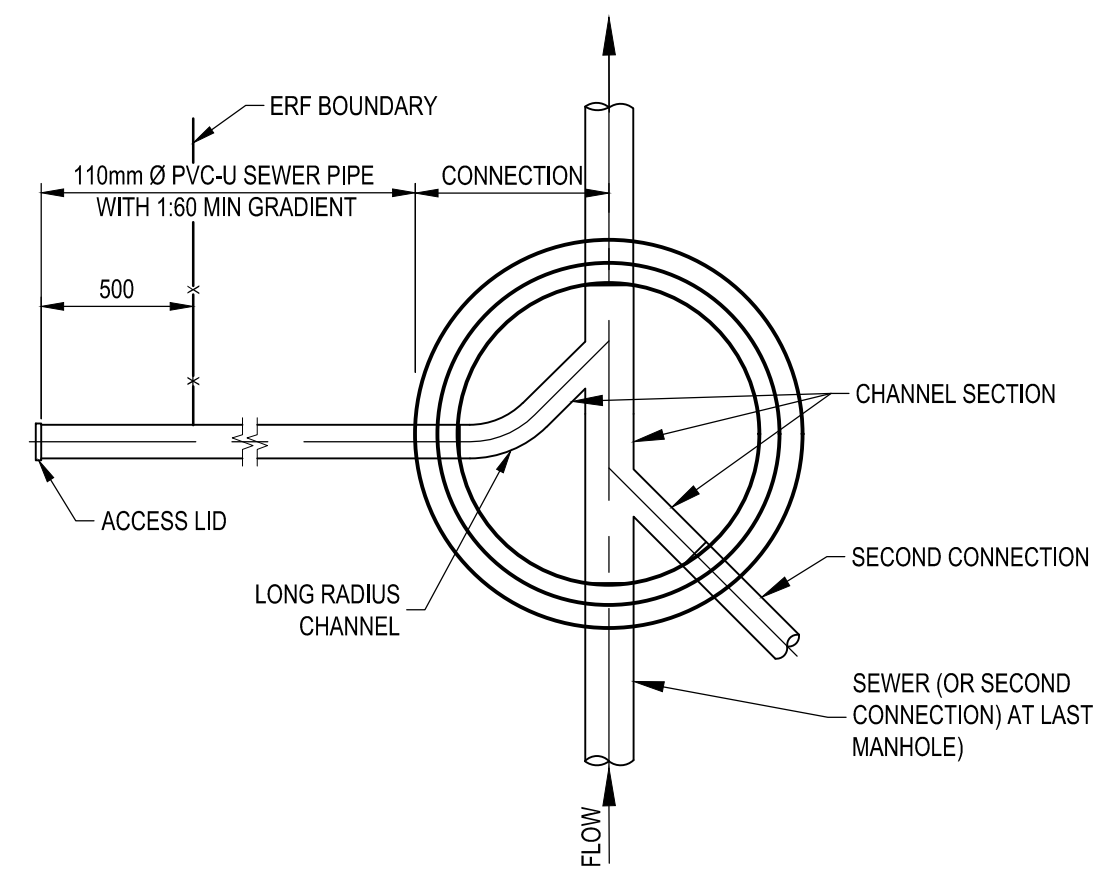


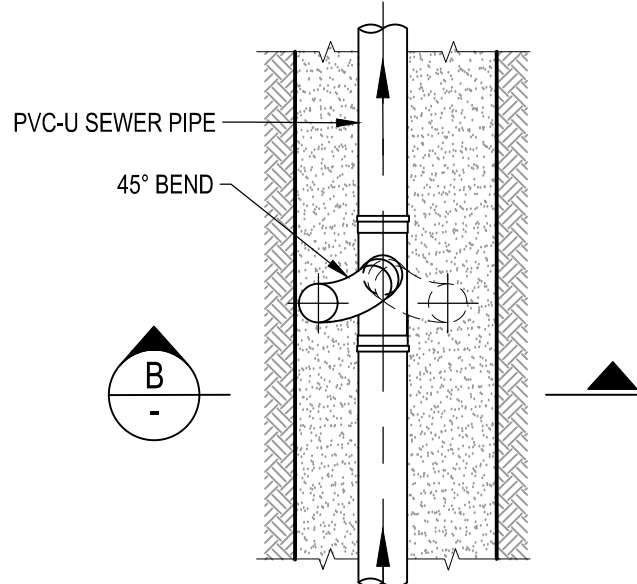
PLAN
PLAN - HOUSE CONNECTION TYPE A
 SCALE 1:25



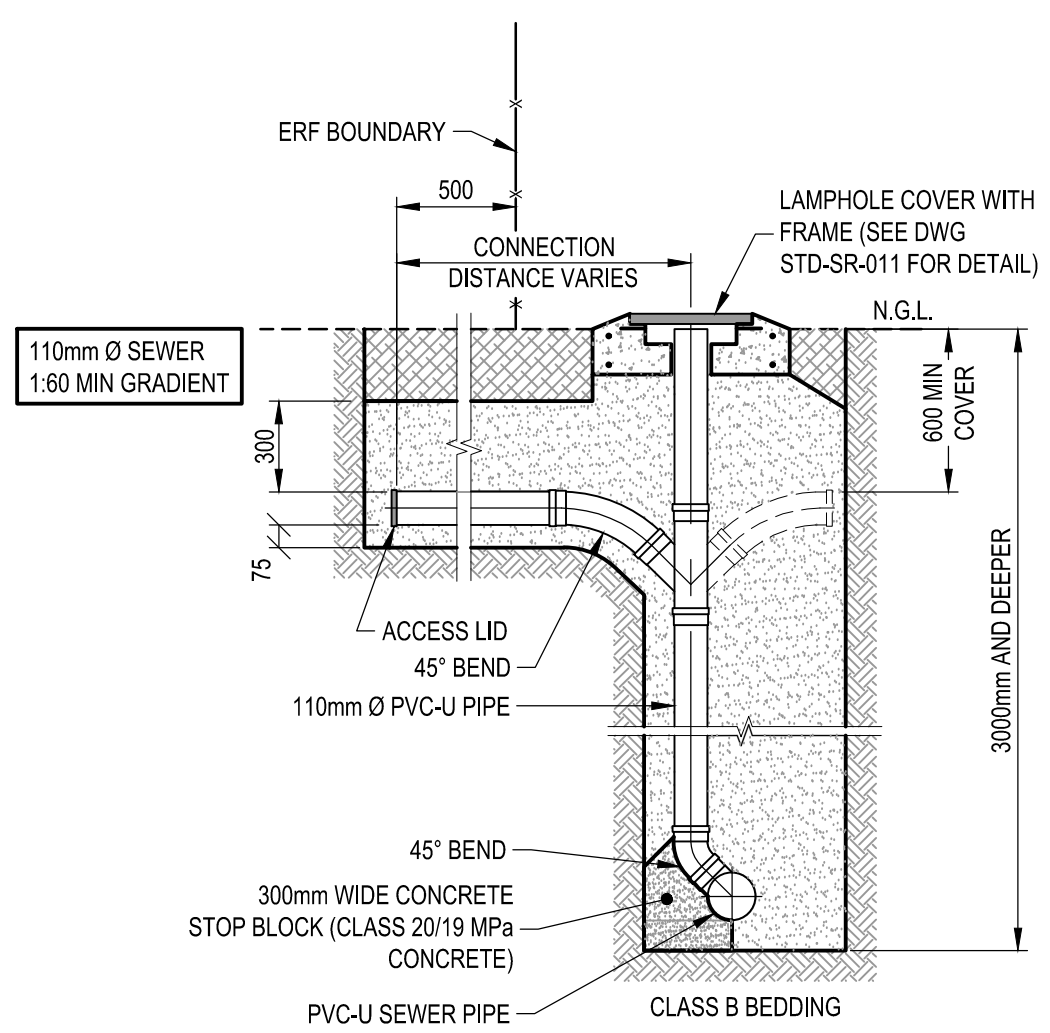
SECTION A
 SCALE 1:25



PLAN
HOUSE CONNECTION TYPE D
 SCALE 1:25
 (CONNECTION AT MANHOLE)

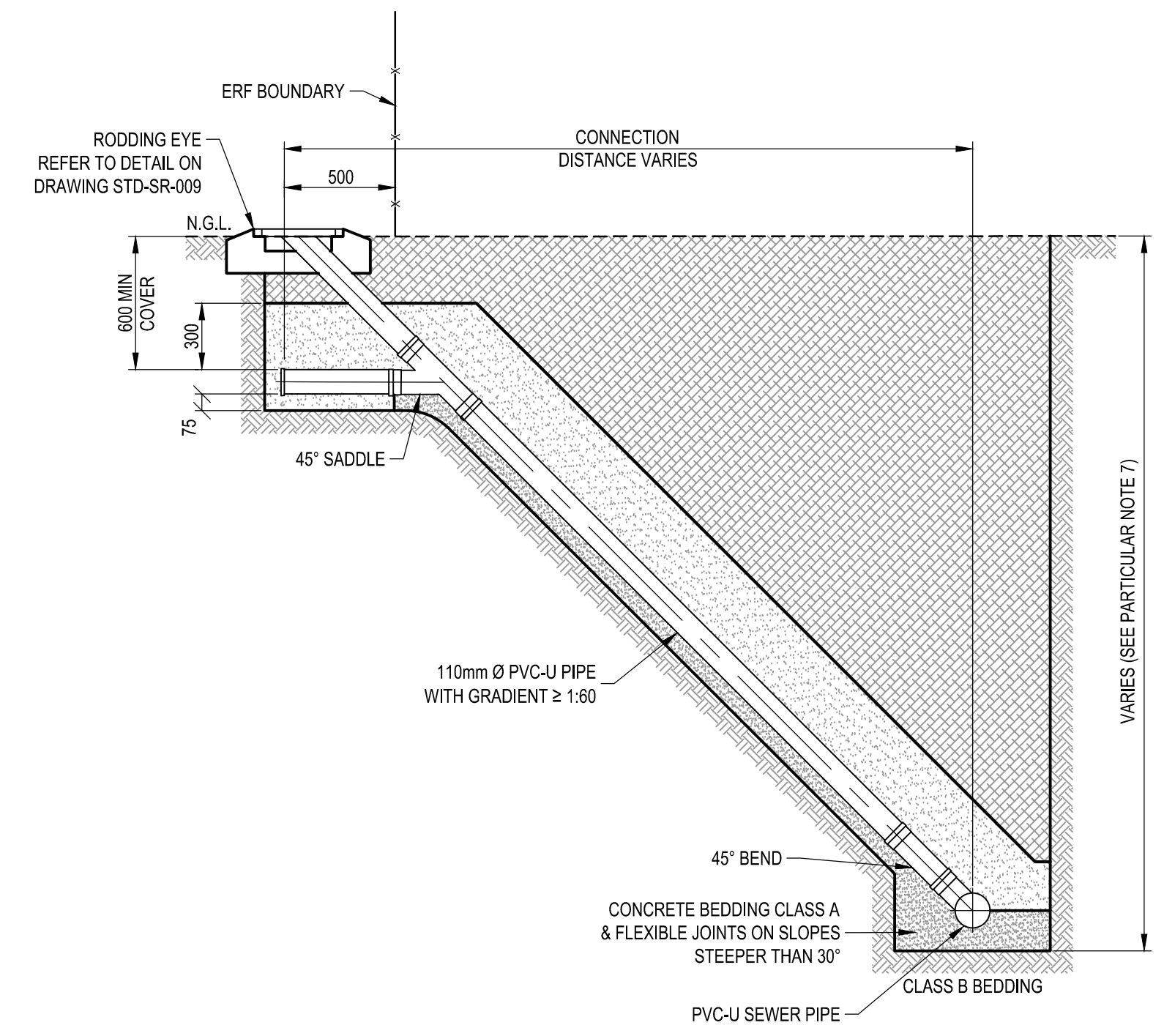


PLAN
HOUSE CONNECTION TYPE B

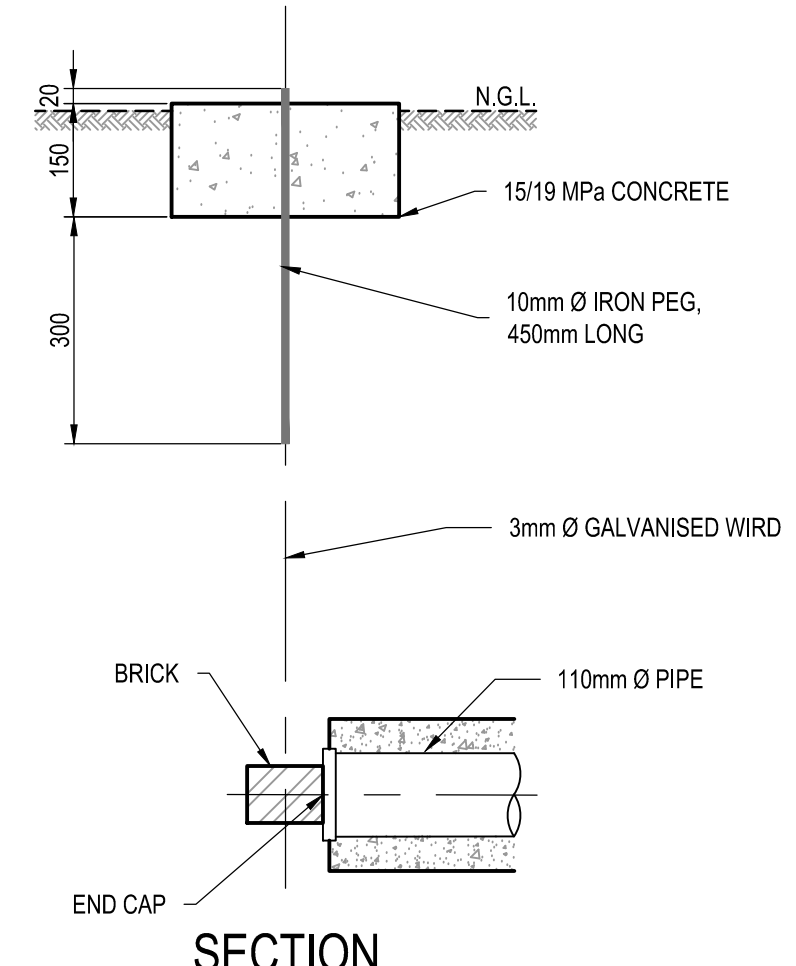


SECTION B
 SCALE 1:25

HOUSE CONNECTIONS ONLY ON SEWERS 160 - 300mm Ø. FOR DIAMETERS > 300mm Ø, A SUB-LINE CONNECTION TO MANHOLES MUST BE MADE.



SECTION
HOUSE CONNECTION TYPE C
 SCALE 1:25



SECTION
PLAN
HOUSE CONNECTION MARKER BLOCK
 SCALE 1:10

NOTES AND SPECIFICATIONS

GENERAL

- MINIMUM REQUIREMENTS ARE INDICATED ON THE DRAWING. THE CONSULTANT / DESIGNER IS RESPONSIBLE AND LIABLE FOR FURTHER DETAILS AND TO ENSURE EFFECTIVE OPERATION AND MAINTENANCE OF THE INSTALLATION.
- THE SIGNATURE OR INITIALS ON THIS DRAWING OF COE OFFICIAL DOES NOT REMOVE ANY RESPONSIBILITY WHATSOEVER FROM THE CONSULTANT / DESIGNER.
- THE CONSULTANT / DESIGNER REMAINS RESPONSIBLE TO ENSURE THAT ALL THE GUIDELINES, STANDARD DRAWINGS, STANDARDS AND SPECIFICATIONS OF THE WATER AND SANITATION DEPARTMENT HAVE BEEN MET AND ARE COMPLIED WITH IN THE DESIGN.
- ALL MATERIAL AND WORKMANSHIP MUST COMPLY WITH THE REQUIREMENTS OF THE LATEST RELEVANT SANS STANDARD.
- FINAL POSITION OF SERVICES TO BE DETERMINED ON SITE.
- ALL DIMENSIONS TO BE CHECKED AND APPROVED ON SITE.
- ALL DIMENSIONS ARE IN MM (UNLESS OTHERWISE SPECIFIED).
- DO NOT SCALE FROM THESE DRAWINGS.
- CLASS OF CONCRETE UNLESS OTHERWISE SPECIFIED ON DRAWING DETAILS:
 REINFORCED CLASS 30/19
 THRUST BLOCKS CLASS 20/19
 BLINDING CLASS 15/19
 FLOOR SCREED SAND : CEMENT = 3 : 1
- PRE-CAST CONCRETE RINGS AND COVER SLABS TO COMPLY WITH SANS 1294.
- JOINTS BETWEEN CONCRETE RINGS AND BETWEEN COVER SLABS AND BETWEEN RINGS AND FLOORS TO BE SEALED WITH BITUMEN SEALANT (APPROVED BY THE DESIGNER).
- SEWERS INSTALLED WITHIN ROAD RESERVE BOUNDARIES MUST BE POSITIONED IN ACCORDANCE WITH THE APPLICABLE SERVICES LAYOUT DRAWING.

PARTICULAR:

- HOUSE CONNECTION TYPE A IS BUILT WHERE SEWER IS SHALLOWER THAN 3.0m AND IS GENERALLY USED.
- HOUSE CONNECTION TYPE B IS BUILT WHERE SEWER IS DEEPER THAN 3.0m.
- HOUSE CONNECTION TYPE C IS ONLY TO BE BUILT WHERE SPECIFIED BY THE DESIGNER.
- HOUSE CONNECTION TYPE B IS ALSO BUILT WHERE SEWER IS SITUATED UNDER CARRIAGEWAY AND DEEPER THAN 3.0m.
- IN CASES WHERE SEWER UNDER CARRIAGEWAY IS SHALLOWER THAN 3.0m, TYPE A OR TYPE C HOUSE CONNECTION IS TO BE BUILT.
- HOUSE CONNECTION TYPE D IS BUILT WHERE HOUSE CONNECTION AND MANHOLE POSITION COINCIDE.
- MINIMUM COVER FOR MAIN SEWER IS 1000mm.
- PVC PIPES AND FITTINGS SHALL COMPLY WITH SANS 1601 FOR STIFFNESS CLASS 400 PIPES.
- POLYESTER RESIN RODDING EYE COVER AND FRAME TO BE IN ACCORDANCE WITH SANS 50124 (SABS EN124).
- CONNECTION FOR LARGE RESIDENTIAL BUSINESS AND INDUSTRIAL STANDS MUST BE 160mm Ø.



AMENDMENTS			
NR	DATE	APPROVED	DESCRIPTION

WATER AND SANITATION	
APPROVED ON BEHALF OF:	
OPERATIONS DIVISION	
NAME:.....	PROF REG No:.....
SIGNATURE:.....	DATE:.....
PROJECTS DIVISION	
NAME:.....	PROF REG No:.....
SIGNATURE:.....	DATE:.....
PLANNING DIVISION	
NAME:.....	PROF REG No:.....
SIGNATURE:.....	DATE:.....

CONSULTANT DETAILS TO BE PLACED HERE

DESIGNED	
NAME:.....	DATE:.....
SIGNATURE:.....	DATE:.....
DRAWN	
NAME:.....	DATE:.....
SIGNATURE:.....	DATE:.....
APPROVED	
NAME:.....	PROF REG No:.....
SIGNATURE:.....	DATE:.....
CONSULTANT DRAWING NUMBER	REVISION

CONTRACT No.	PROJECT No.
SHEET No.	PAPER SIZE
SCALE	A1

PROJECT TITLE	STANDARD GUIDELINE DRAWINGS
DRAWING TITLE	STANDARD DRAWING: SEWER RETICULATION ERF CONNECTIONS
COE DRAWING NUMBER	STD-SR-008