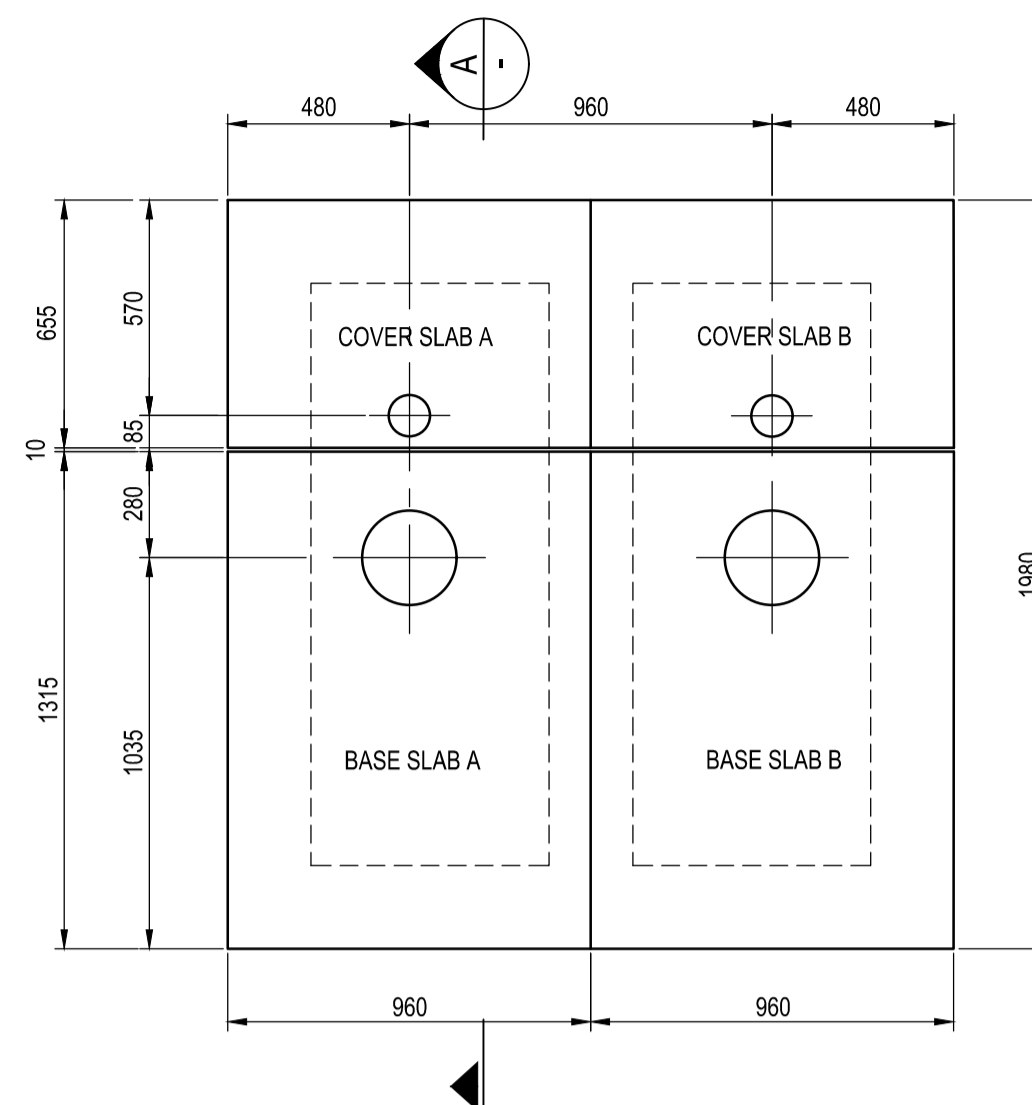
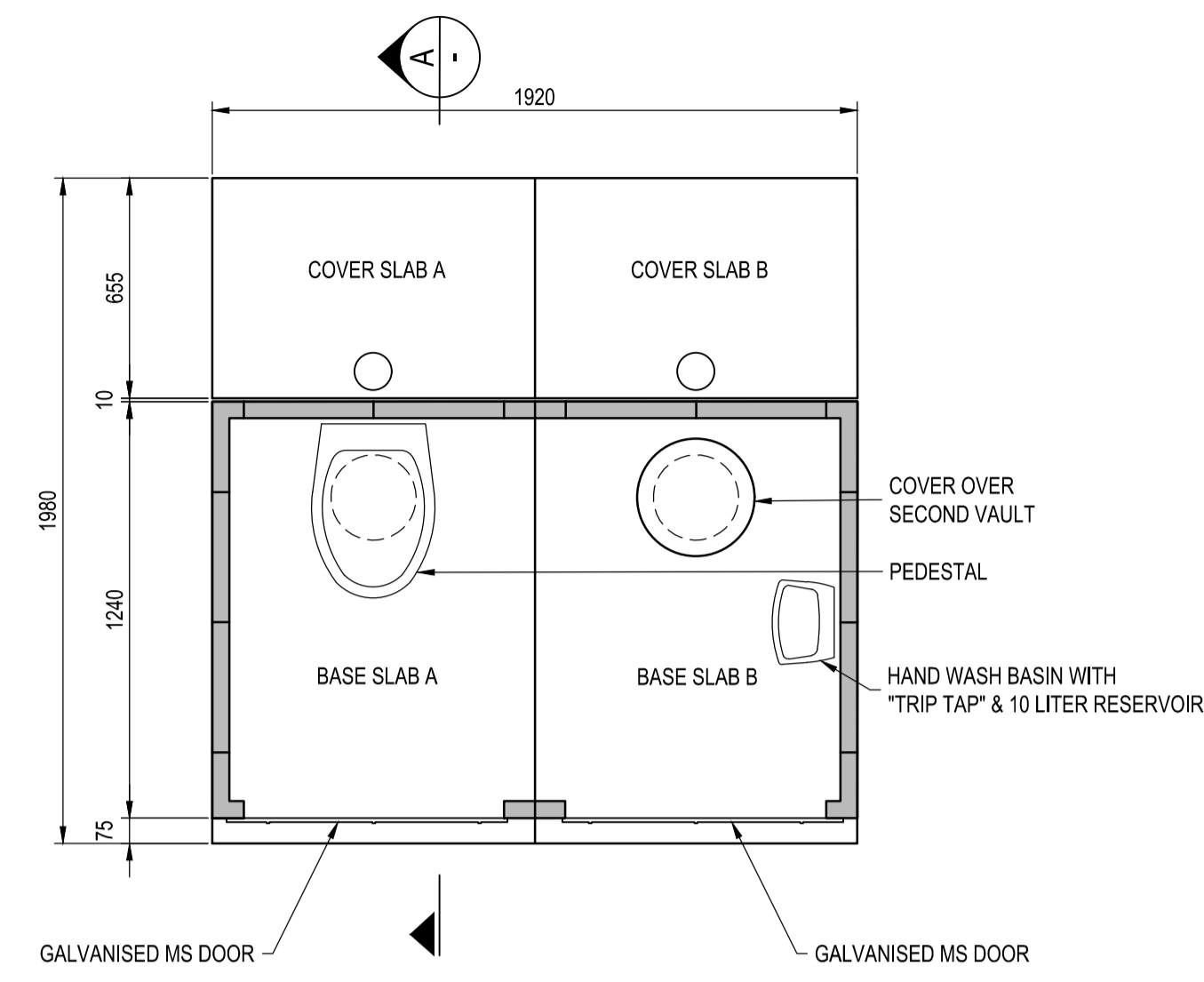


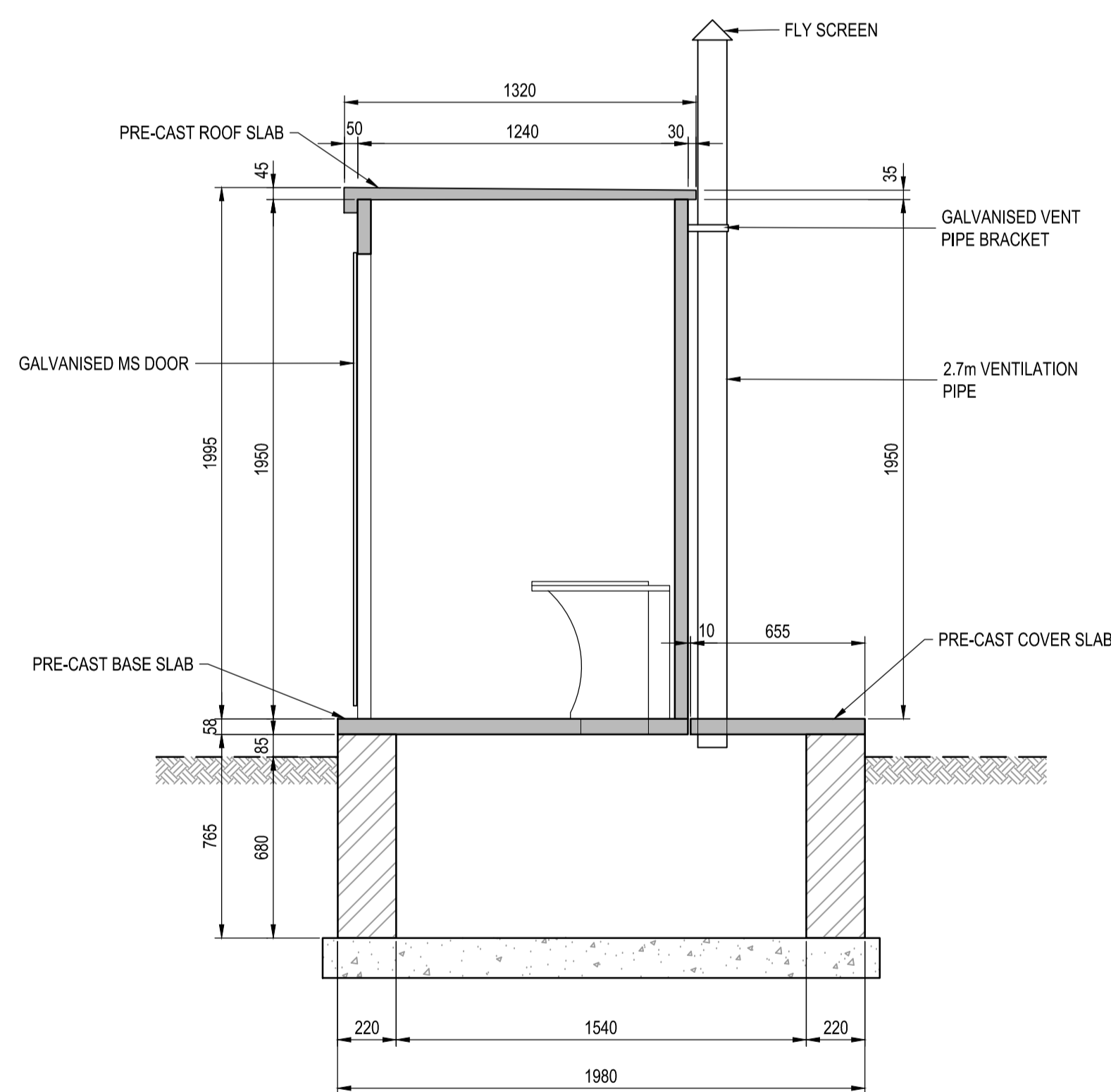
PLAN - PIT STRUCTURE
SCALE 1:20



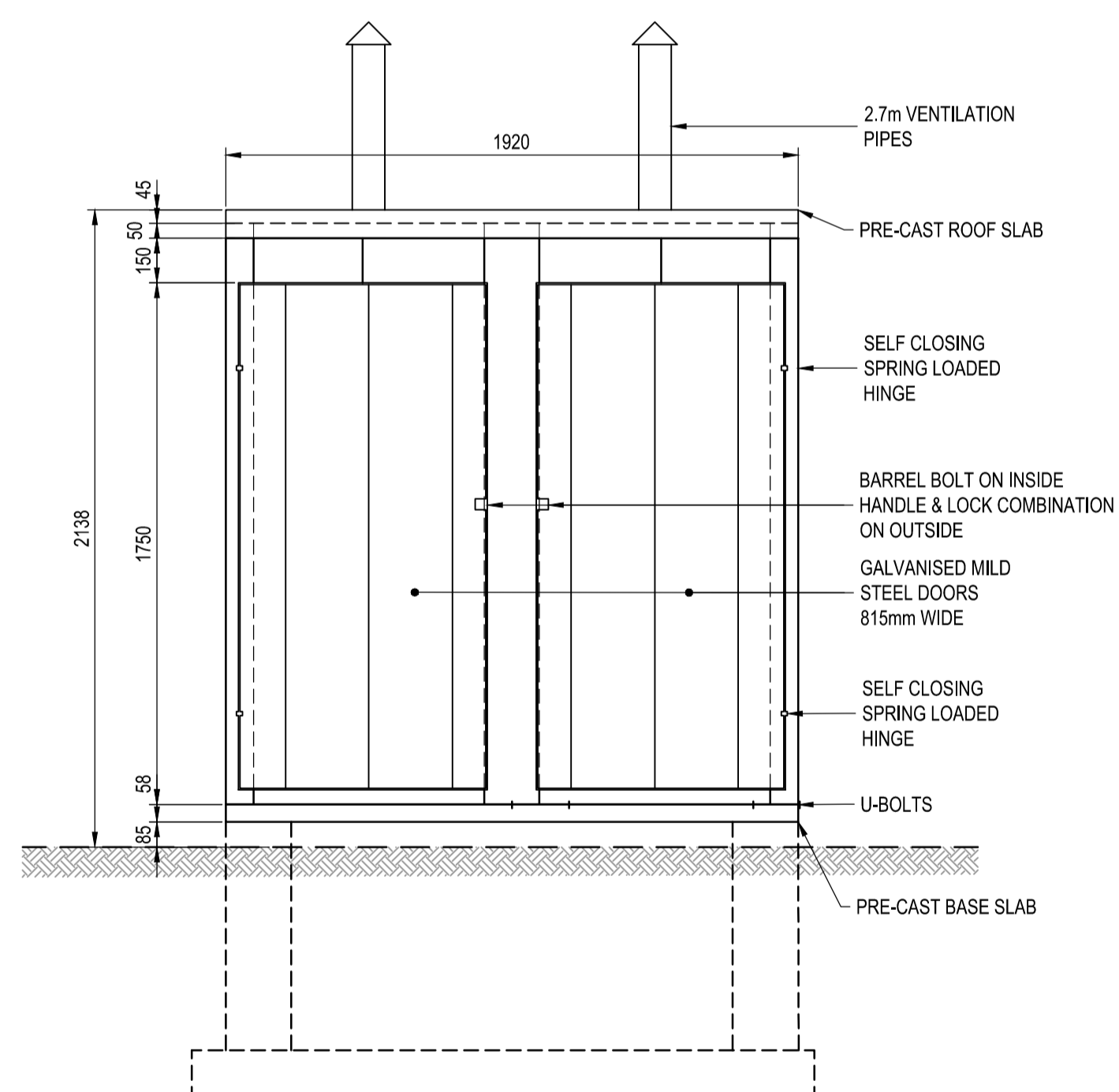
PLAN - PRE-CAST FLOOR SLABS
SCALE 1:20



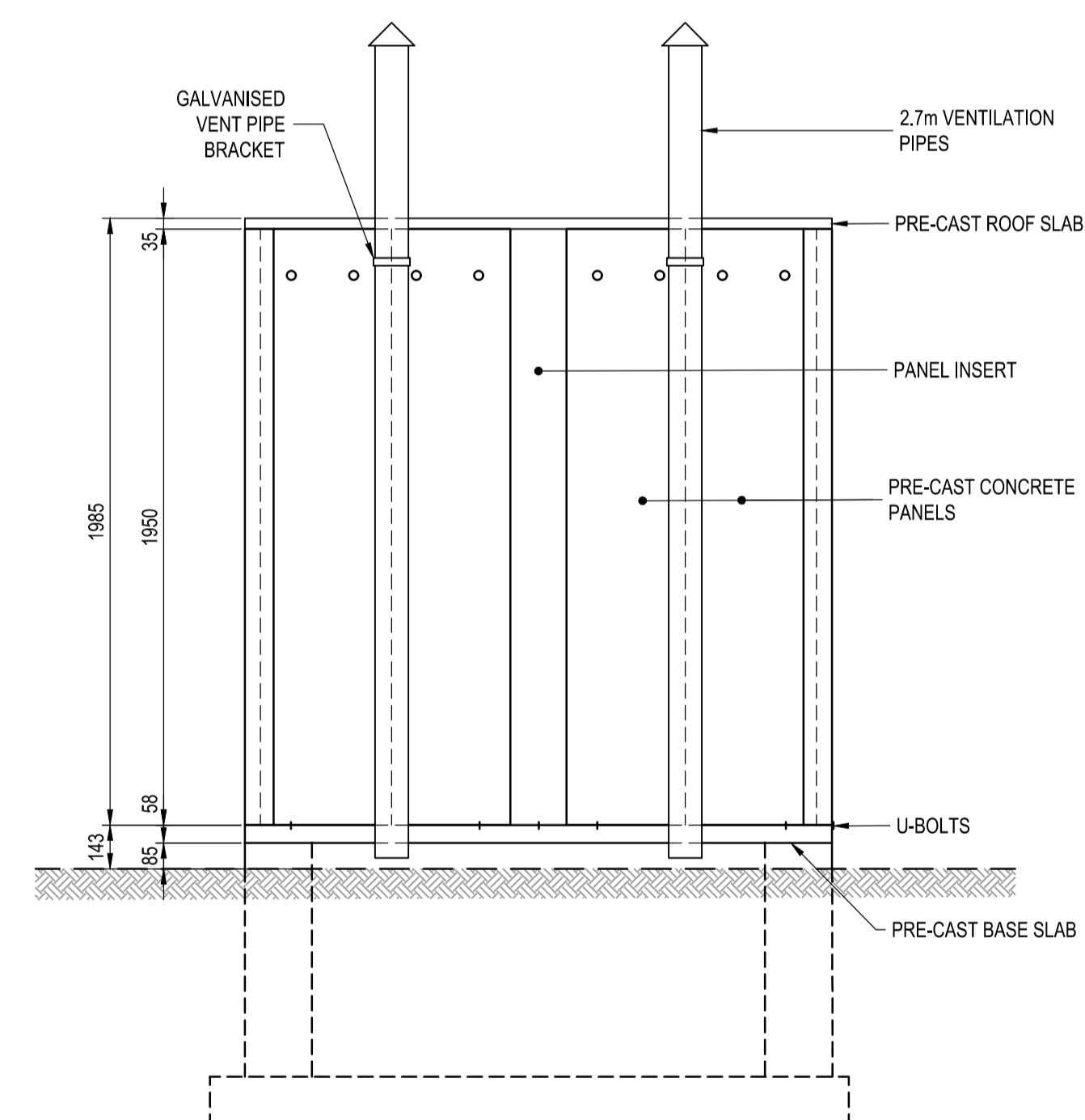
PLAN
SCALE 1:20



SECTION A
SCALE 1:20



FRONT ELEVATION
SCALE 1:20



BACK ELEVATION
SCALE 1:20

NOTES AND SPECIFICATIONS

GENERAL

1. MINIMUM REQUIREMENTS ARE INDICATED ON THE DRAWING. THE CONSULTANT / DESIGNER IS RESPONSIBLE AND LIABLE FOR FURTHER DETAILS AND TO ENSURE EFFECTIVE OPERATION AND MAINTENANCE OF THE INSTALLATION.
2. THE SIGNATURE OR INITIALS ON THIS DRAWING OF COE OFFICIAL DOES NOT REMOVE ANY RESPONSIBILITY WHATSOEVER FROM THE CONSULTANT / DESIGNER.
3. THE CONSULTANT / DESIGNER REMAINS RESPONSIBLE TO ENSURE THAT ALL THE GUIDELINES, STANDARD DRAWINGS, STANDARDS AND SPECIFICATIONS OF THE WATER AND SANITATION DEPARTMENT HAVE BEEN MET AND ARE COMPLIED WITH IN THE DESIGN.
4. ALL MATERIAL AND WORKMANSHIP MUST COMPLY WITH THE REQUIREMENTS OF THE LATEST RELEVANT SANS STANDARD.
5. FINAL POSITION OF SERVICES TO BE DETERMINED ON SITE.
6. ALL DIMENSIONS TO BE CHECKED AND APPROVED ON SITE.
7. ALL DIMENSIONS ARE IN mm (UNLESS OTHERWISE SPECIFIED).
8. DO NOT SCALE FROM THESE DRAWINGS.
9. CLASS OF CONCRETE UNLESS OTHERWISE SPECIFIED ON DRAWING DETAILS:
REINFORCED CLASS 30/19
THRUST BLOCKS CLASS 20/19
BLINDING CLASS 15/19
FLOOR SCREED SAND : CEMENT = 3 : 1
10. PRE-CAST CONCRETE RINGS AND COVER SLABS TO COMPLY WITH SANS 1294.
11. JOINTS BETWEEN CONCRETE RINGS AND BETWEEN COVER SLABS AND BETWEEN RINGS AND FLOORS TO BE SEALED WITH BITUMEN SEALANT (APPROVED BY THE DESIGNER).
12. SEWERS INSTALLED WITHIN ROAD RESERVE BOUNDARIES MUST BE POSITIONED IN ACCORDANCE WITH THE APPLICABLE SERVICES LAYOUT DRAWING.

PARTICULAR:

1. HOUSE CONNECTION TYPE A IS BUILT WHERE SEWER IS SHALLOWER THAN 3.0m AND IS GENERALLY USED
2. HOUSE CONNECTION TYPE B IS BUILT WHERE SEWER IS DEEPER THAN 3.0m
3. HOUSE CONNECTION TYPE C IS ONLY TO BE BUILT WHERE SPECIFIED BY THE DESIGNER
4. HOUSE CONNECTION TYPE B IS ALSO BUILT WHERE SEWER IS SITUATED UNDER CARRIAGEWAY AND DEEPER THAN 3.0m.
5. IN CASES WHERE SEWER UNDER CARRIAGEWAY IS SHALLOWER THAN 3.0m, TYPE A OR TYPE C HOUSE CONNECTION IS TO BE BUILT
6. HOUSE CONNECTION TYPE D IS BUILT WHERE HOUSE CONNECTION AND MANHOLE POSITION COINCIDE
7. MINIMUM COVER FOR MAIN SEWER IS 1000mm
8. PVC PIPES AND FITTINGS SHALL COMPLY WITH SANS 1601 FOR STIFFNESS CLASS 400 PIPES
9. POLYMER RESIN RODDING EYE COVER AND FRAME TO BE IN ACCORDANCE WITH SANS 50124 (SABS EN124)
10. CONNECTION FOR LARGE RESIDENTIAL BUSINESS AND INDUSTRIAL STANDS MUST BE 160mm Ø



| AMENDMENTS | | | |
|------------|------|----------|-------------|
| NR | DATE | APPROVED | DESCRIPTION |
| | | | |
| | | | |
| | | | |
| | | | |
| | | | |
| | | | |
| | | | |
| | | | |
| | | | |
| | | | |

WATER AND SANITATION
APPROVED ON BEHALF OF:
OPERATIONS DIVISION

NAME:..... PROF REG No:.....
SIGNATURE:..... DATE:.....

PROJECTS DIVISION

NAME:..... PROF REG No:.....
SIGNATURE:..... DATE:.....

PLANNING DIVISION

NAME:..... PROF REG No:.....
SIGNATURE:..... DATE:.....

CONSULTANT DETAILS TO BE PLACED HERE

DESIGNED

NAME:.....
SIGNATURE:..... DATE:.....

DRAWN

NAME:.....
SIGNATURE:..... DATE:.....

APPROVED

NAME:..... PROF REG No:.....
SIGNATURE:..... DATE:.....

CONSULTANT DRAWING NUMBER

CONTRACT No.

PROJECT No.

SHEET No.

PAPER SIZE
A1

SCALE

PROJECT TITLE
STANDARD GUIDELINE DRAWINGS

DRAWING TITLE
STANDARD DRAWING: SEWER RETICULATION TYPICAL D PUDS TOILET STRUCTURE FOR THE PHYSICAL DISABLED

COE DRAWING NUMBER
STD-SR-013