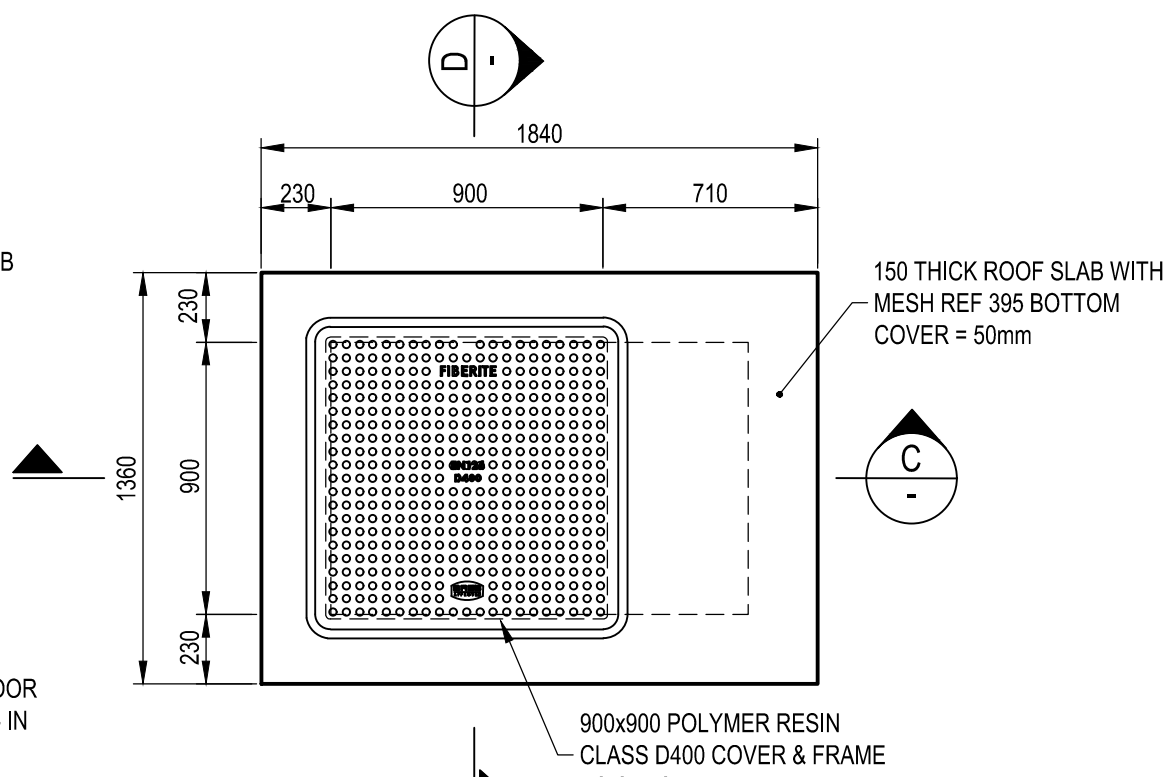
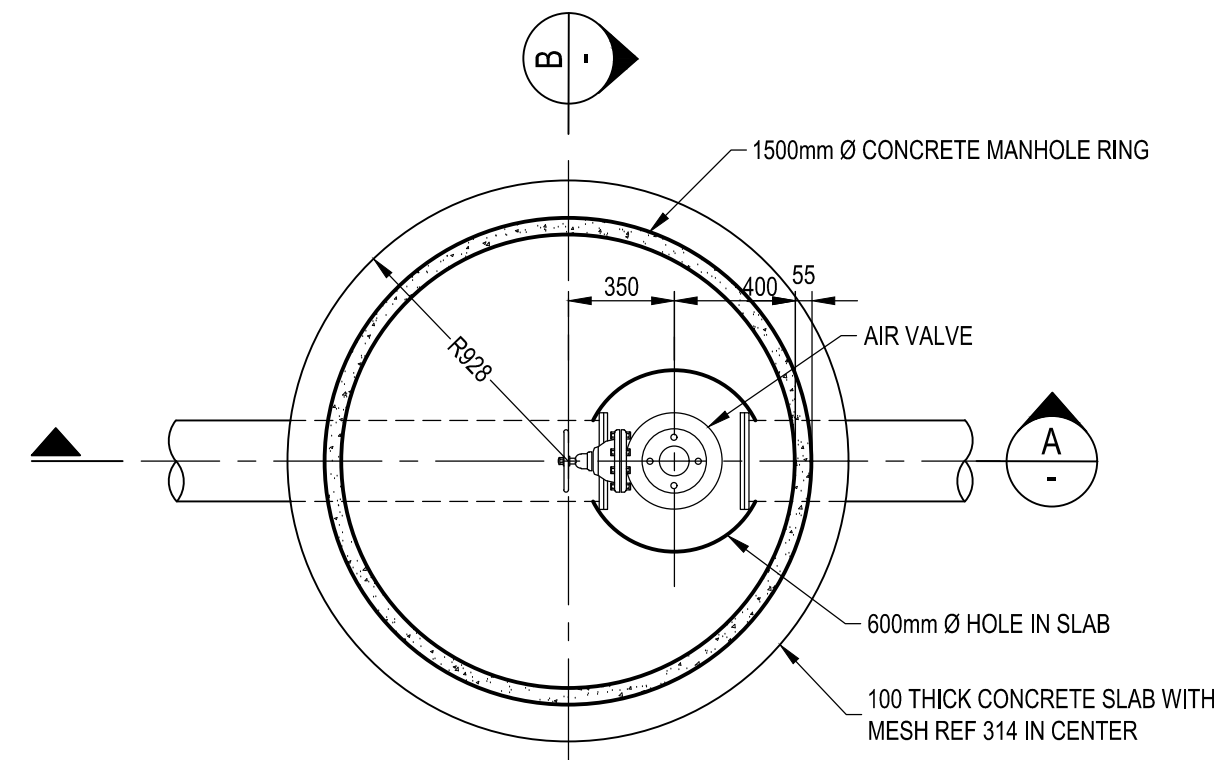


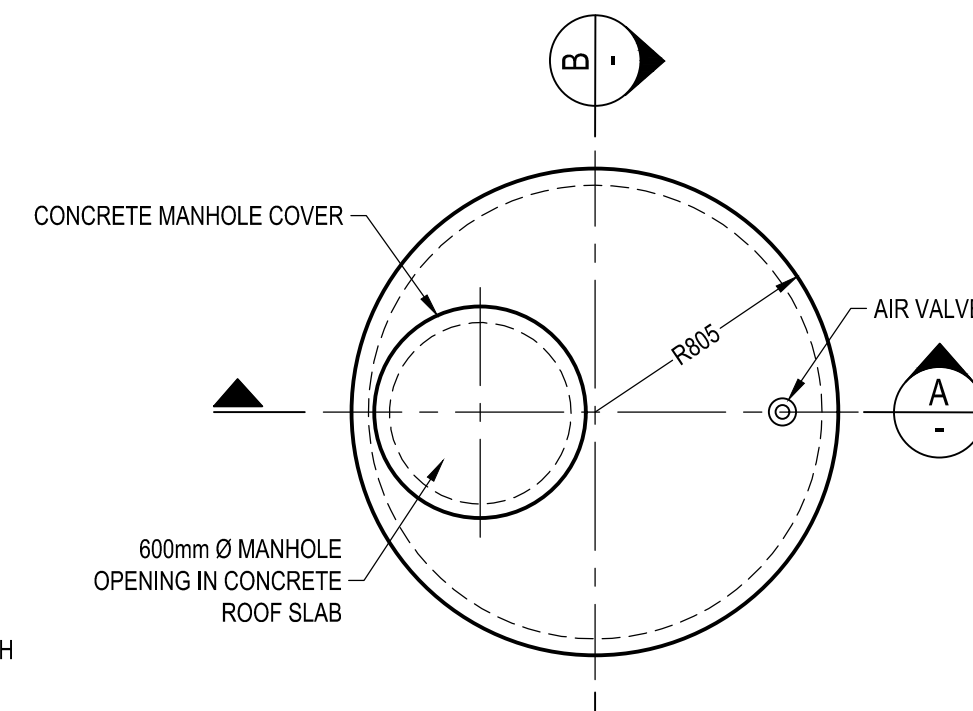
PLAN - FLOOR SLAB
SCALE 1:25



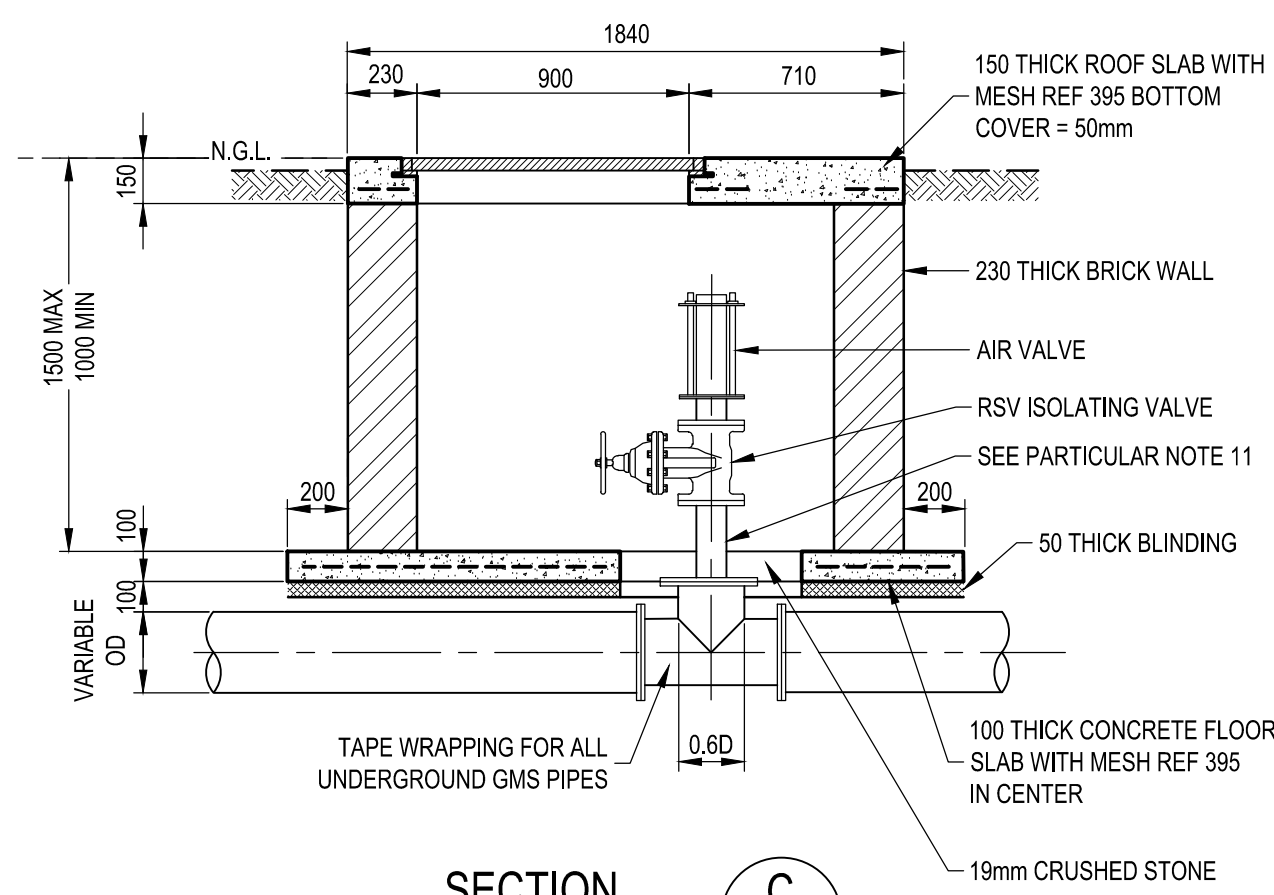
PLAN - FLOOR SLAB
SCALE 1:25



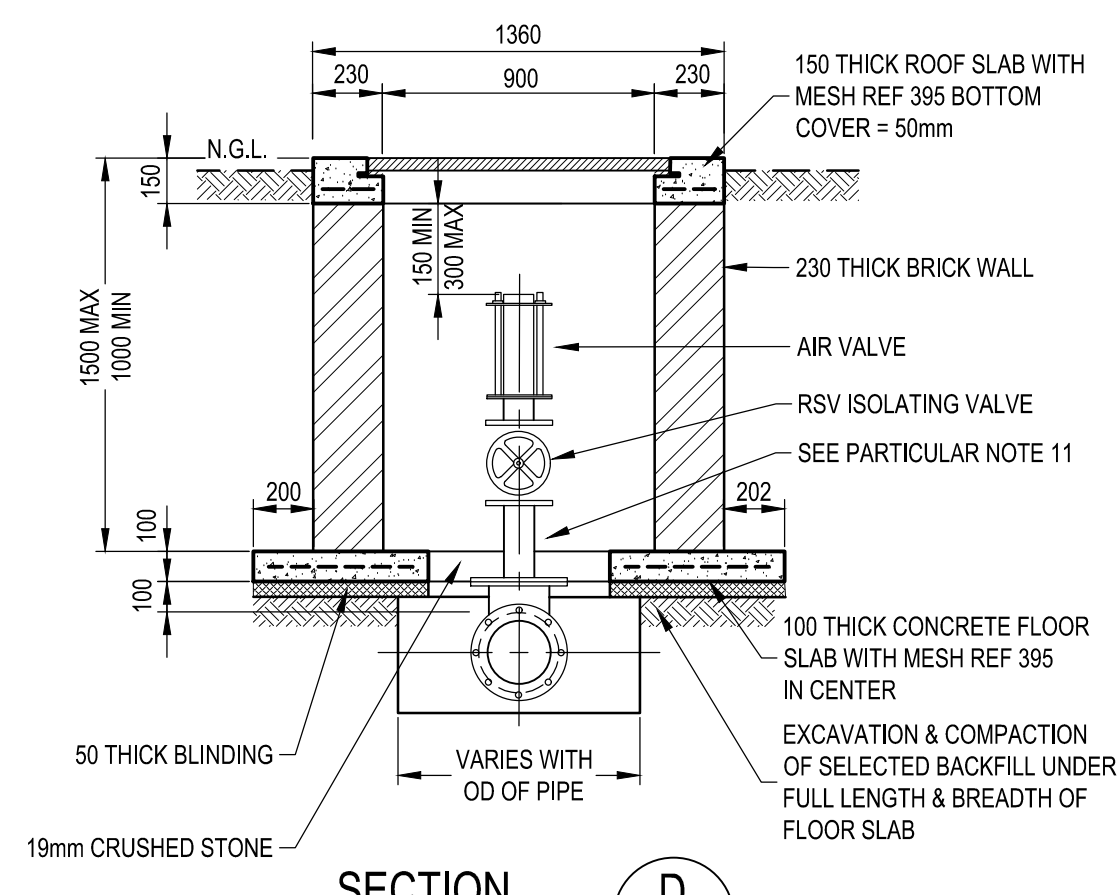
PLAN - FLOOR SLAB
SCALE 1:25



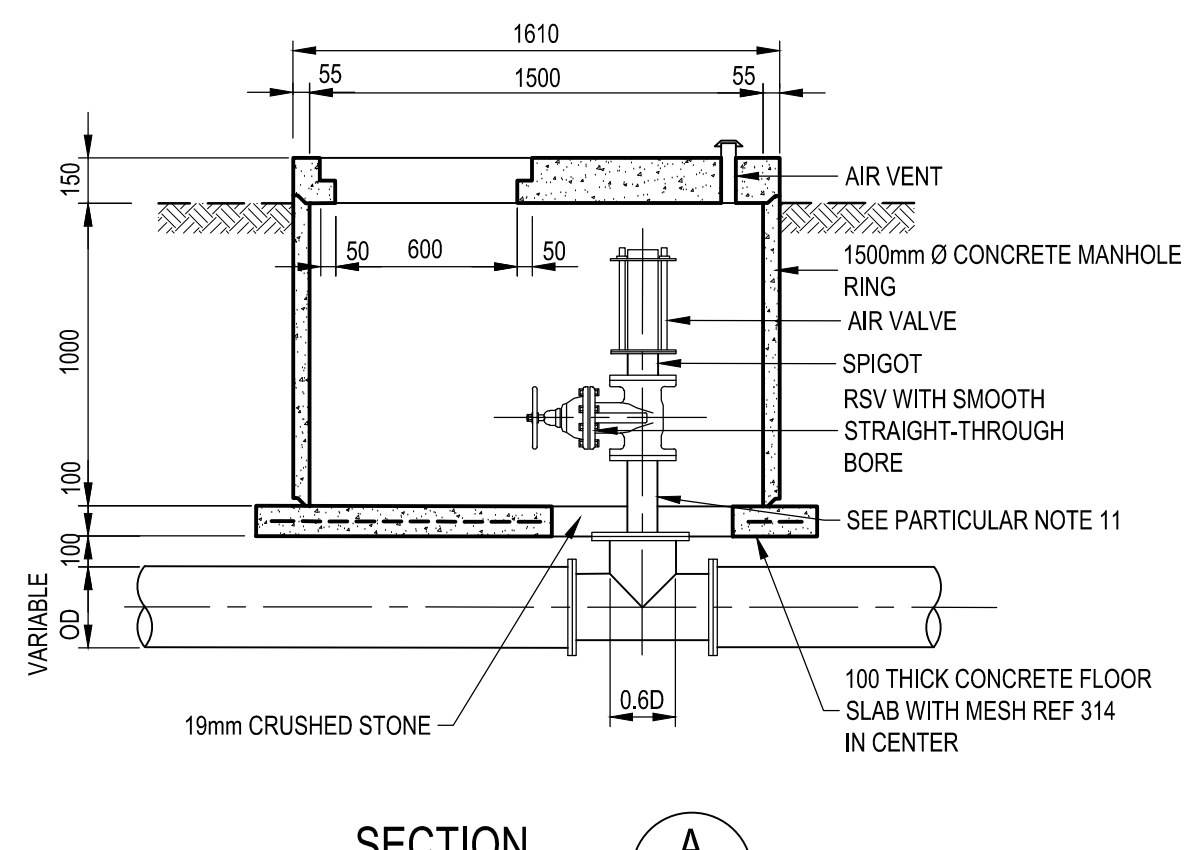
PLAN - ROOF SLAB
SCALE 1:25



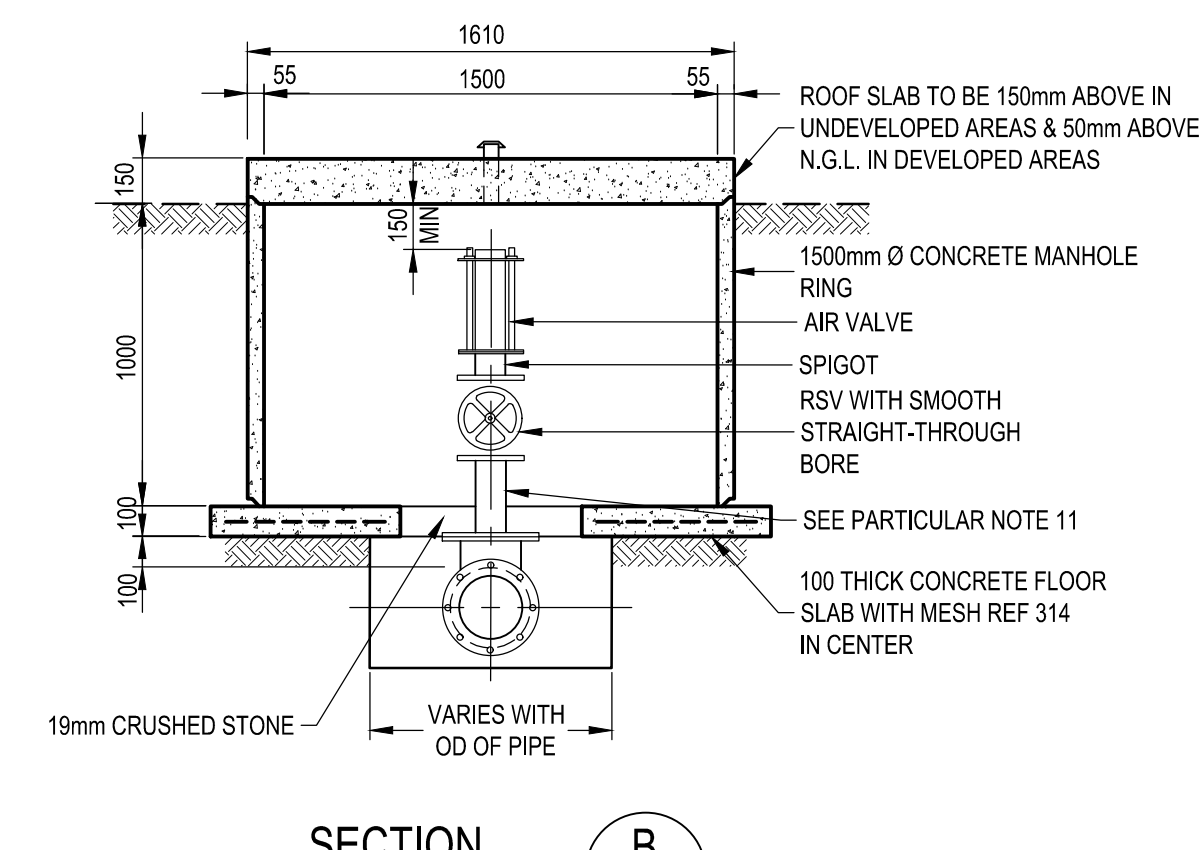
SECTION C
SCALE 1:25



SECTION D
SCALE 1:25



SECTION A
SCALE 1:25



SECTION B
SCALE 1:25

ONLY FOR MAINTENANCE OR WHERE SPECIFIED BY DESIGNER

FOR ALL NEW AIR VALVE CHAMBERS

NOTES AND SPECIFICATIONS

GENERAL

- MINIMUM REQUIREMENTS ARE INDICATED ON THE DRAWING. THE CONSULTANT / DESIGNER IS RESPONSIBLE AND LIABLE FOR FURTHER DETAILS AND TO ENSURE EFFECTIVE OPERATION AND MAINTENANCE OF THE INSTALLATION.
- THE SIGNATURE OR INITIALS ON THIS DRAWING OF COE OFFICIAL DOES NOT REMOVE ANY RESPONSIBILITY WHATSOEVER FROM THE CONSULTANT / DESIGNER.
- THE CONSULTANT / DESIGNER REMAINS RESPONSIBLE TO ENSURE THAT ALL THE GUIDELINES, STANDARD DRAWINGS, STANDARDS AND SPECIFICATIONS OF THE WATER AND SANITATION DEPARTMENT HAVE BEEN MET AND ARE COMPLIED WITH IN THE DESIGN.
- ALL MATERIAL AND WORKMANSHIP MUST COMPLY WITH THE REQUIREMENTS OF THE LATEST RELEVANT SANS STANDARD.
- FINAL POSITION OF SERVICES TO BE DETERMINED ON SITE.
- ALL DIMENSIONS TO BE CHECKED AND APPROVED ON SITE.
- ALL DIMENSIONS ARE IN mm (UNLESS OTHERWISE SPECIFIED).
- DO NOT SCALE FROM THESE DRAWINGS.
- CLASS OF CONCRETE UNLESS OTHERWISE SPECIFIED ON DRAWING DETAILS:
REINFORCED CLASS 30/19
THRUST BLOCKS CLASS 20/19
BLINDING CLASS 15/19
FLOOR SCREED SAND : CEMENT = 3 : 1
- PRE-CAST CONCRETE RINGS AND COVER SLABS TO COMPLY WITH SANS 1294.
- JOINTS BETWEEN CONCRETE RINGS AND BETWEEN COVER SLABS AND BETWEEN RINGS AND FLOORS TO BE SEALED WITH BITUMEN SEALANT (APPROVED BY THE DESIGNER).
- ALL JOINTS BETWEEN THE PIPE AND THE CHAMBER WALL AND BETWEEN BRICK WALL AND CONCRETE FLOOR TO BE SEALED TO PREVENT WATER LEAKING INTO THE CHAMBER. METHOD OF SEALING TO BE SUBMITTED TO THE DESIGNER FOR APPROVAL.
- FLANGE DRILLING TO BE IN ACCORDANCE WITH SANS 1123. DESIGNER TO SPECIFY FLANGE TABLE.
- ALL BOLTS, WASHERS AND NUTS TO BE HOT DIPPED GALVANISED IN ACCORDANCE WITH SANS 763.
- ALL STEEL PIPE ITEMS TO BE GRIT BLASTED TO SA 3 OF ISO 8501-1 AND PAINTED WITH EPOXY COMPLYING WITH SANS 1217 WITH A MINIMUM DRY FILM THICKNESS OF 500 MICRON (LINING AND COATING). UNDERGROUND STEEL PIPE ITEMS TO BE WRAPPED WITH PETROLATUM TAPE (APPROVED BY DESIGNER) OVER THE EPOXY COATING.
- CONCRETE SUPPORTS ARE REQUIRED UNDERNEATH VALVES AND PIPE WORK WHERE INDICATED BY THE DESIGNER.
- DESIGNER TO SPECIFY STEP IRONS OR LADDER INSIDE CHAMBER. STEP IRONS TO BE SALBERG AND BUILT-IN.
- THERE MUST BE NO CONTACT BETWEEN STEEL PIPE ITEMS AND CONCRETE OR BRICK REINFORCEMENT.

PARTICULAR:

- BRICKWORK TO BE IN ACCORDANCE WITH SANS 0164 : PART 1 - 1980
- CLASS II MORTAR TO BE USED (1 CEMENT CEM 1:5 SAND)
- BRICKS TO HAVE A CHARACTERISTIC COMPRESSIVE STRENGTH OF 14MPa
- CONCRETE FOR SLABS TO BE CLASS 25/19
- WHERE REF. 395 IN CENTER OF FLOOR SLABS
- MIN LAP LENGTH OF MESH = 500mm
- THE VALVE CHAMBER LID IS TO BE DESIGNED TO CARRY EXTERNAL VEHICLE LOADS
- THE Ø OF THE BRANCH TO BE APPROXIMATELY 0,6 x OD OF THE PIPE
- BRANCH LENGTH TO BE (0,5 x OD OF THE PIPE + 350mm) FROM SIDE OF PIPE
- BRANCH TO BE FLANGED & DRILLED TO SABS 1123 TABLE 1600/3
- SPACER BETWEEN BRANCH FLANGE & VALVE TO BE MADE UP BY 200mm LONG STUB, MOUNTED IN CENTER OF SPECIAL FLANGE (BRANCH NB) WITH STUB (AIR VALVE NB) FLANGED & DRILLED TO SABS 1123 TABLE 1600/3
- SEE DRAWING STD-WR-015 FOR DETAILS OF AIR VENT



City of Ekurhuleni
WATER AND SANITATION DEPARTMENT

AMENDMENTS			
NR	DATE	APPROVED	DESCRIPTION

WATER AND SANITATION	
APPROVED ON BEHALF OF:	
OPERATIONS DIVISION	
NAME:.....	PROF REG No:.....
SIGNATURE:.....	DATE:.....
PROJECTS DIVISION	
NAME:.....	PROF REG No:.....
SIGNATURE:.....	DATE:.....
PLANNING DIVISION	
NAME:.....	PROF REG No:.....
SIGNATURE:.....	DATE:.....

CONSULTANT DETAILS TO BE PLACED HERE

DESIGNED	
NAME:.....	DATE:.....
SIGNATURE:.....	DATE:.....
DRAWN	
NAME:.....	DATE:.....
SIGNATURE:.....	DATE:.....
APPROVED	
NAME:.....	PROF REG No:.....
SIGNATURE:.....	DATE:.....
CONSULTANT DRAWING NUMBER	

CONTRACT No.
PROJECT No.
SHEET No.
PAPER SIZE A1
SCALE

PROJECT TITLE	STANDARD GUIDELINE DRAWINGS
DRAWING TITLE	STANDARD DRAWING: WATER RETICULATION TYPICAL AIR VALVE INSTALLATIONS (WHERE APPROPRIATE FOR SMALLER DIA PIPES)
COE DRAWING NUMBER	STD-WR-013