

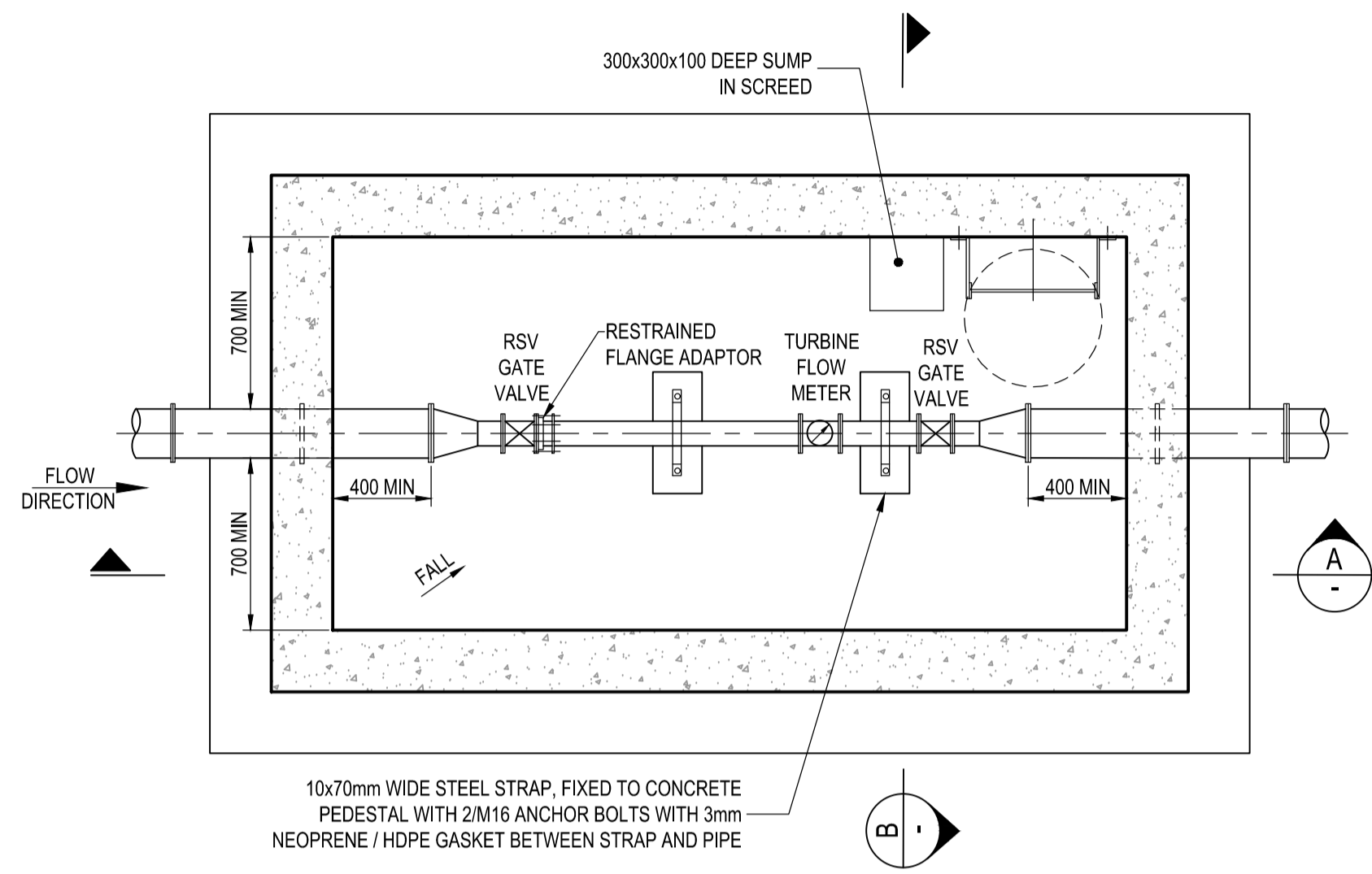
NOTES AND SPECIFICATIONS

GENERAL

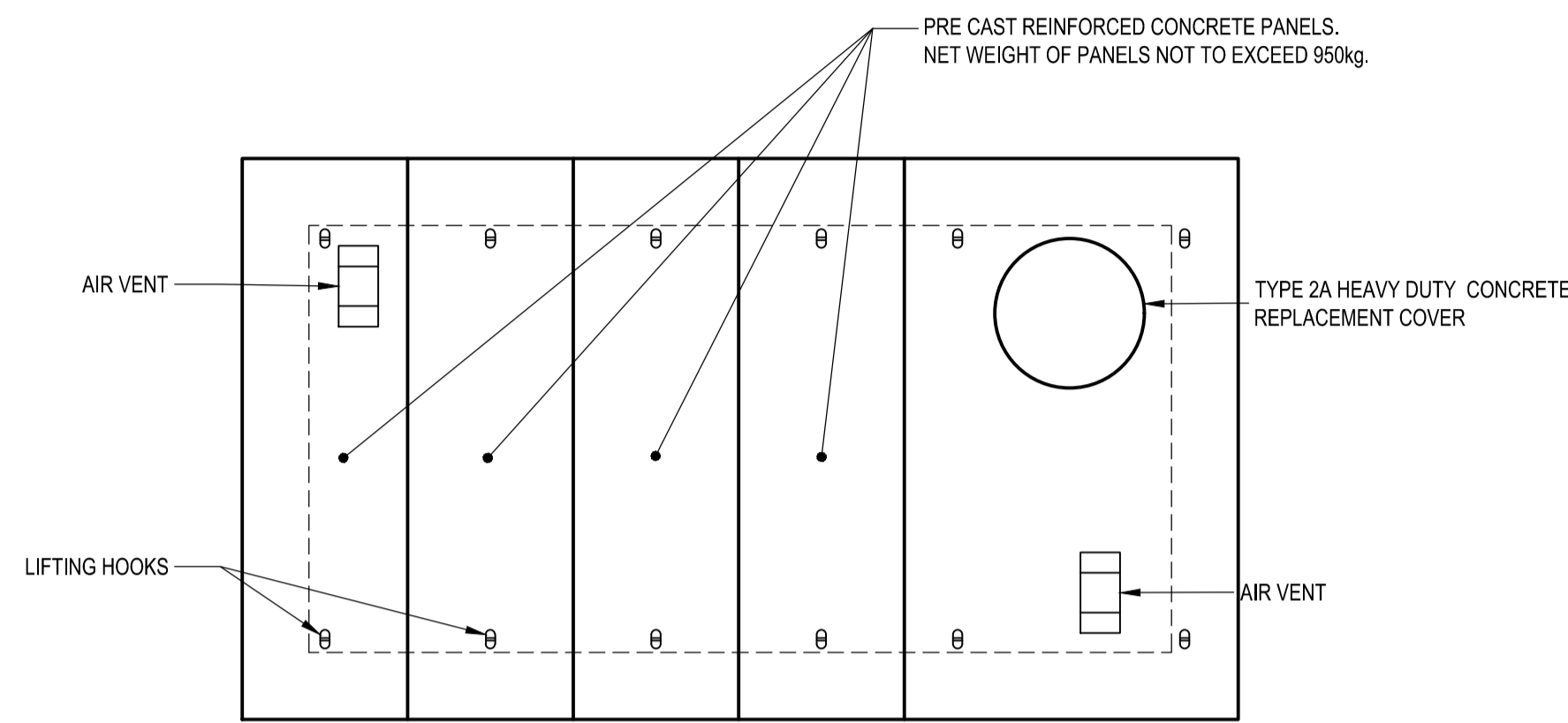
- MINIMUM REQUIREMENTS ARE INDICATED ON THE DRAWING. THE CONSULTANT / DESIGNER IS RESPONSIBLE AND LIABLE FOR FURTHER DETAILS AND TO ENSURE EFFECTIVE OPERATION AND MAINTENANCE OF THE INSTALLATION.
- THE SIGNATURE OR INITIALS ON THIS DRAWING OF COE OFFICIAL DOES NOT REMOVE ANY RESPONSIBILITY WHATSOEVER FROM THE CONSULTANT / DESIGNER.
- THE CONSULTANT / DESIGNER REMAINS RESPONSIBLE TO ENSURE THAT ALL THE GUIDELINES, STANDARD DRAWINGS, STANDARDS AND SPECIFICATIONS OF THE WATER AND SANITATION DEPARTMENT HAVE BEEN MET AND ARE COMPLIED WITH IN THE DESIGN.
- ALL MATERIAL AND WORKMANSHIP MUST COMPLY WITH THE REQUIREMENTS OF THE LATEST RELEVANT SANS STANDARD.
- FINAL POSITION OF SERVICES TO BE DETERMINED ON SITE.
- ALL DIMENSIONS TO BE CHECKED AND APPROVED ON SITE.
- ALL DIMENSIONS ARE IN mm (UNLESS OTHERWISE SPECIFIED).
- DO NOT SCALE FROM THESE DRAWINGS.
- CLASS OF CONCRETE UNLESS OTHERWISE SPECIFIED ON DRAWING DETAILS:
 REINFORCED CLASS 30/19
 THRUST BLOCKS CLASS 20/19
 BLINDING CLASS 15/19
 FLOOR SCREED SAND : CEMENT = 3 : 1
- PRE-CAST CONCRETE RINGS AND COVER SLABS TO COMPLY WITH SANS 1294.
- JOINTS BETWEEN CONCRETE RINGS AND BETWEEN COVER SLABS AND BETWEEN RINGS AND FLOORS TO BE SEALED WITH BITUMEN SEALANT (APPROVED BY THE DESIGNER).
- ALL JOINTS BETWEEN THE PIPE AND THE CHAMBER WALL AND BETWEEN BRICK WALL AND CONCRETE FLOOR TO BE SEALED TO PREVENT WATER LEAKING INTO THE CHAMBER. METHOD OF SEALING TO BE SUBMITTED TO THE DESIGNER FOR APPROVAL.
- FLANGE DRILLING TO BE IN ACCORDANCE WITH SANS 1123. DESIGNER TO SPECIFY FLANGE TABLE.
- ALL BOLTS, WASHERS AND NUTS TO BE HOT DIPPED GALVANISED IN ACCORDANCE WITH SANS 763.
- ALL STEEL PIPE ITEMS TO BE GRIT BLASTED TO SA 3 OF ISO 8501-1 AND PAINTED WITH EPOXY COMPLYING WITH SANS 1217 WITH A MINIMUM DRY FILM THICKNESS OF 500 MICRON (LINING AND COATING). UNDERGROUND STEEL PIPE ITEMS TO BE WRAPPED WITH PETROLATUM TAPE (APPROVED BY DESIGNER) OVER THE EPOXY COATING.
- CONCRETE SUPPORTS ARE REQUIRED UNDERNEATH VALVES AND PIPE WORK WHERE INDICATED BY THE DESIGNER.
- DESIGNER TO SPECIFY STEP IRONS OR LADDER INSIDE CHAMBER. STEP IRONS TO BE GALVANISED AND BUILT-IN.
- THERE MUST BE NO CONTACT BETWEEN STEEL PIPE ITEMS AND CONCRETE OR BRICK REINFORCEMENT.

PARTICULAR

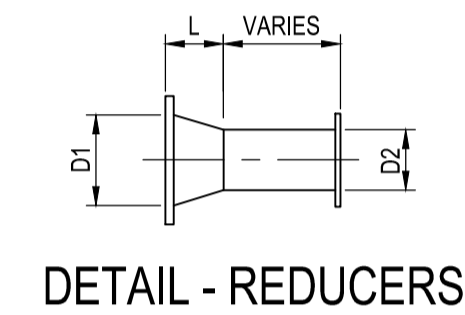
- EACH INDIVIDUAL CHAMBER SHALL BE PROPERLY DESIGNED BY A COMPETENT PERSON
- CHAMBERS SHALL BE APPROVED BY THE WATER & SANITATION DIVISION BEFORE CONSTRUCTION
- REFER TO DRAWING STD-WR-015 FOR DETAILS OF LOCKING BAR, ACCESS MANHOLE, LIFTING HOOKS & AIR VENT
- AIR VALVES TO BE PLACED DEPENDING ON TOPOGRAPHY



PLAN
SCALE 1:25

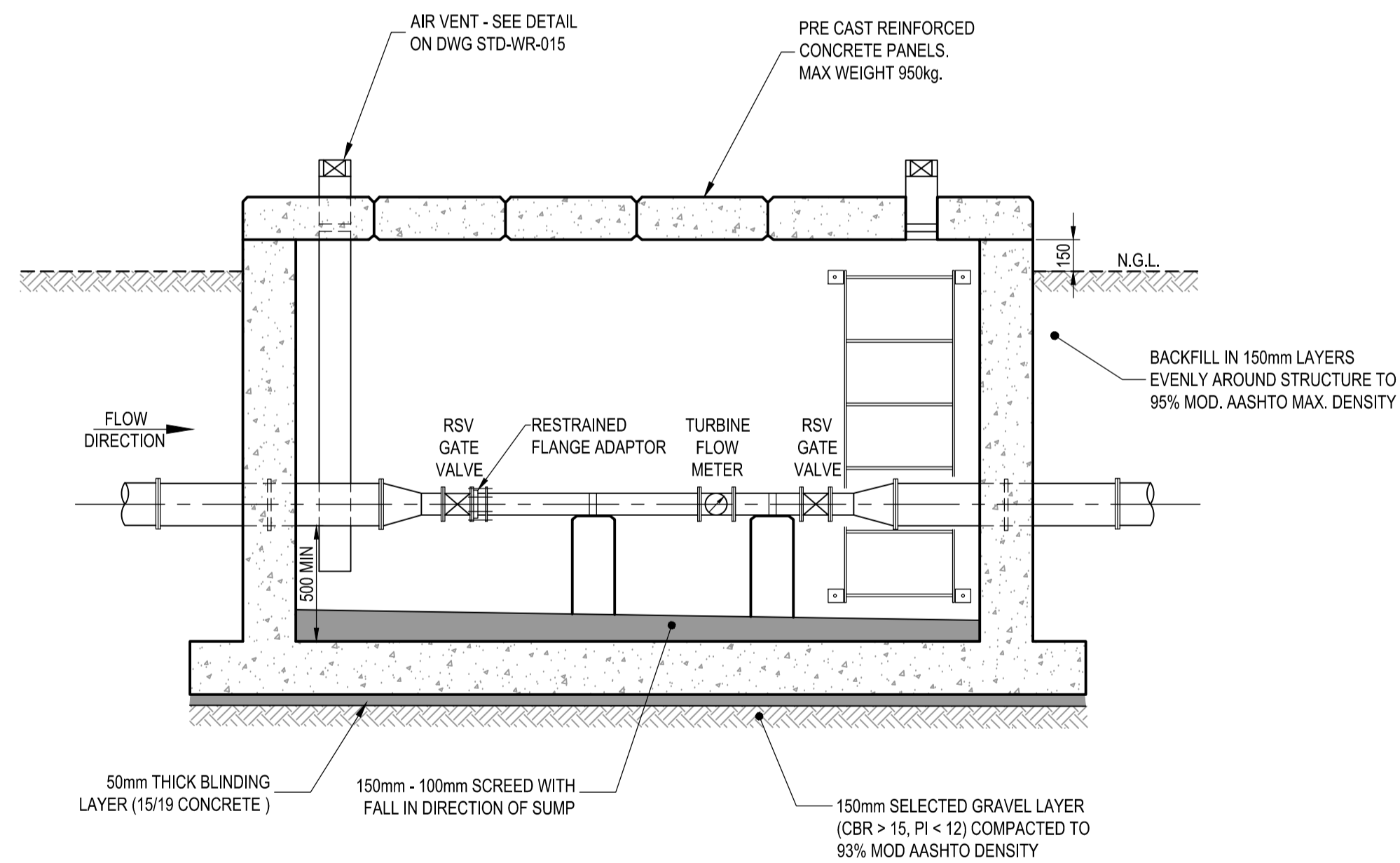


PLAN - ROOF SLAB
SCALE 1:25

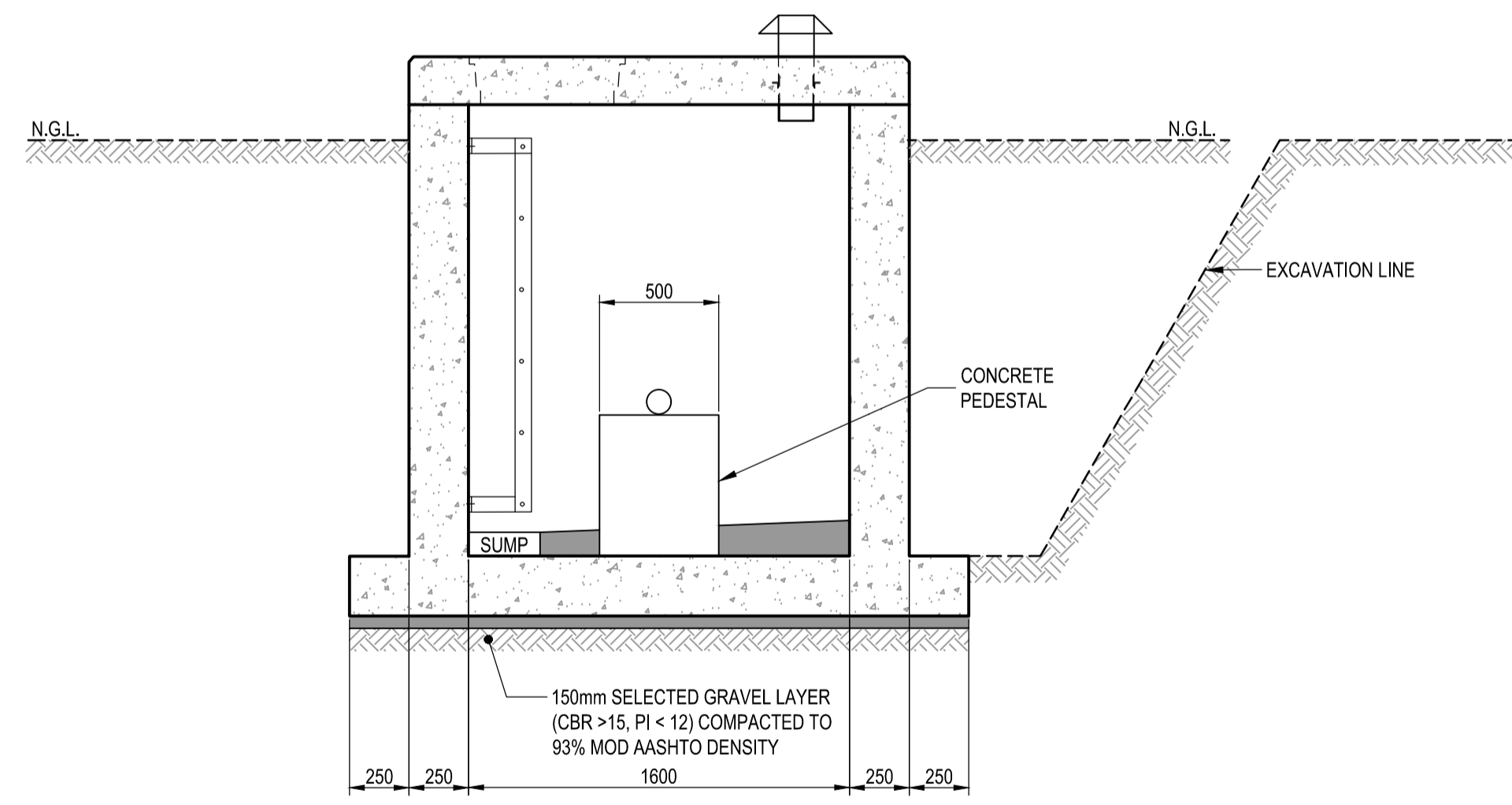


DETAIL - REDUCERS

REDUCER SIZE TABLE				
D1		D2		L
NOMINAL DIA (mm)	OUTSIDE DIA (mm)	NOMINAL DIA (mm)	LENGTH (mm)	
200	219.1	100-150	180	
250	273.1	150-200	205	
300	323.9	150-250	230	
350	355.6	200-300	255	
400	406.4	300-350	280	
450	457	300-450	305	
500	508	350-500	330	
550	559	400-550	355	
600	610	400-600	380	
650	660	450-650	405	
700	711	500-700	430	
750	762	550-750	460	
800	813	600-100	485	
850	864	600-850	510	
900	914	150-150	535	



SECTION A
SCALE 1:25



SECTION B
SCALE 1:25



AMENDMENTS			
NR	DATE	APPROVED	DESCRIPTION

WATER AND SANITATION
APPROVED ON BEHALF OF:
OPERATIONS DIVISION

NAME:..... PROF REG No:.....
SIGNATURE:..... DATE:.....

PROJECTS DIVISION

NAME:..... PROF REG No:.....
SIGNATURE:..... DATE:.....

PLANNING DIVISION

NAME:..... PROF REG No:.....
SIGNATURE:..... DATE:.....

DESIGNED

NAME:.....
SIGNATURE:..... DATE:.....

DRAWN

NAME:.....
SIGNATURE:..... DATE:.....

APPROVED

NAME:..... PROF REG No:.....
SIGNATURE:..... DATE:.....

CONSULTANT DRAWING NUMBER

CONTRACT No.

PROJECT No.

SHEET No.

PAPER SIZE
A1

SCALE

PROJECT TITLE
STANDARD GUIDELINE DRAWINGS

DRAWING TITLE
**STANDARD DRAWING: WATER RETICULATION
TYPICAL ZONAL WATER METER INSTALLATION**

COE DRAWING NUMBER
STD-WR-014

CONSULTANT DETAILS TO BE PLACED HERE